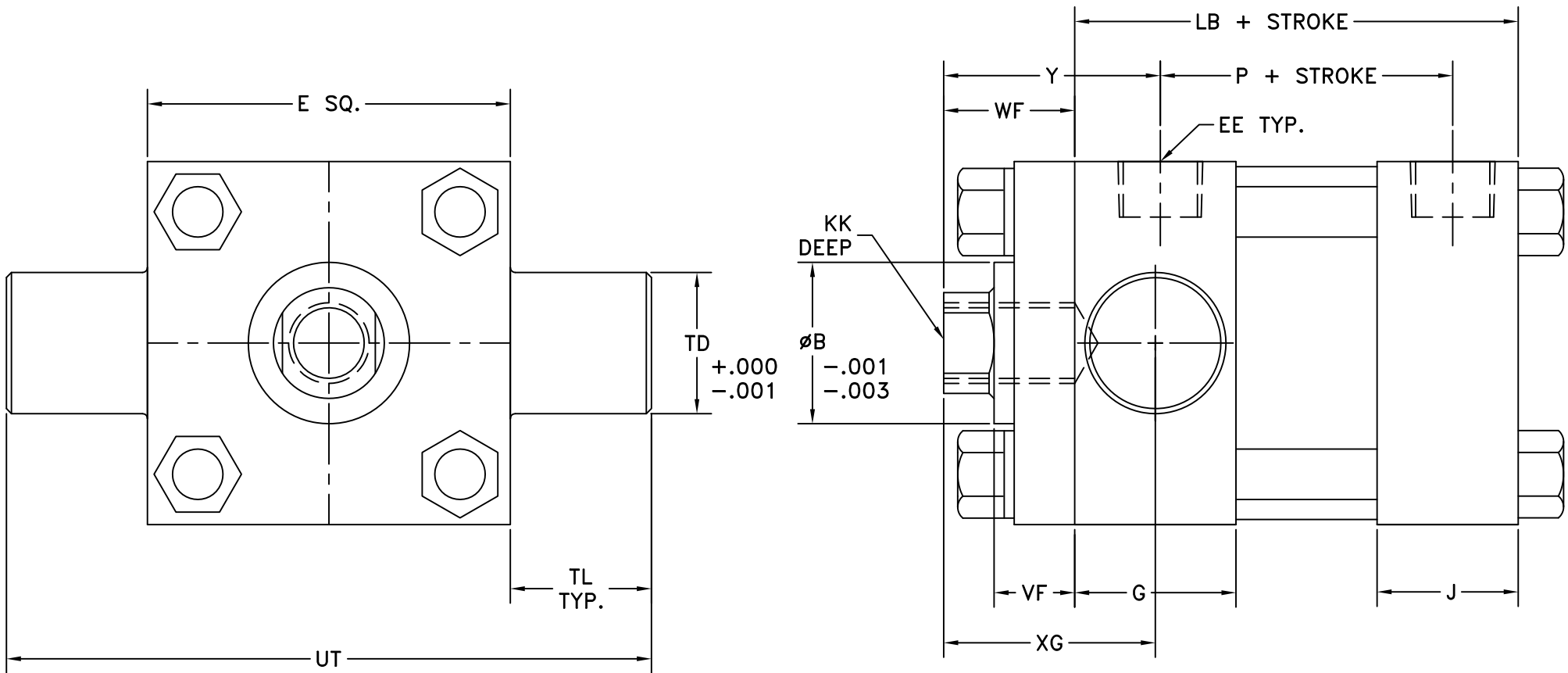


MT1 MOUNT-STYLE "U"-FEMALE ROD END



OPEN TOLERANCE NOTES:
 FRACTIONAL DIMS. $\pm 1/32$
 2 PLACE DECIMALS $\pm .010$
 3 PLACE DECIMALS $\pm .005$
 ANGLES ± 30 MINUTES
 UNLESS SPECIFIED

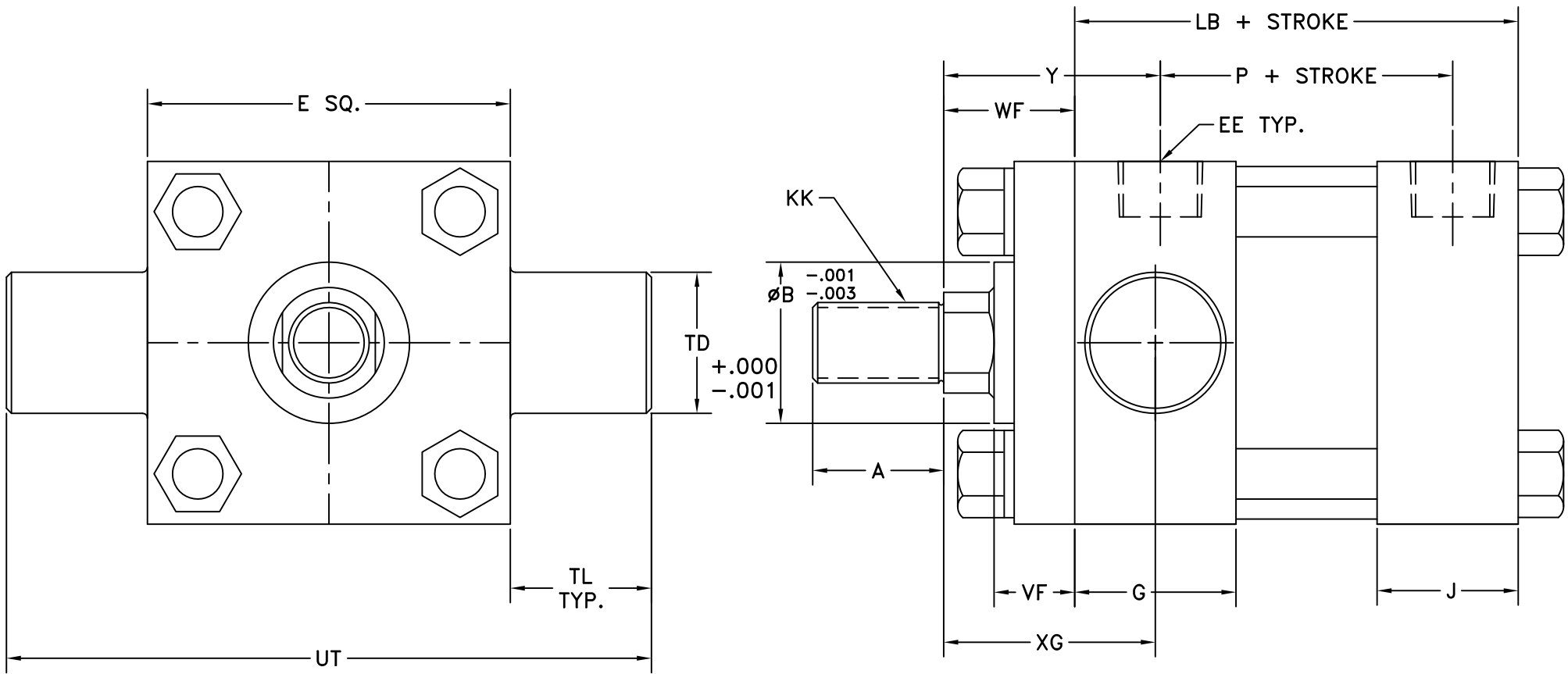
BREAK SHARP EDGES
 REMOVE ALL BURRS
 .015 R ALL CORNERS
 UNLESS NOTED.

YATES
 PHONE: (586) 778-7680
 FAX: (586) 778-8565

THIS PRINT IS THE PROPERTY OF YATES IND. INC. AND IS LOANED SUBJECT TO RETURN UPON DEMAND. ITS CONTENTS ARE CONFIDENTIAL AND MUST NOT BE COPIED OR SUBMITTED TO OUTSIDE PARTIES FOR USE OR EXAMINATION. ALL RIGHTS TO DESIGN OR INVENTION ARE RESERVED BY YATES IND. INC.


		MT1RPF	
SIZE C	APPV'D. DB 7-26-98	DWG NO. MT1RPF	REV
SCALE NTS	FF 7-26-98	SHEET	

MT1 MOUNT-STYLE "U"-MALE ROD END



OPEN TOLERANCE NOTES:
 FRACTIONAL DIMS. $\pm 1/32$
 2 PLACE DECIMALS ± 0.010
 3 PLACE DECIMALS ± 0.005
 ANGLES ± 30 MINUTES
 UNLESS SPECIFIED

BREAK SHARP EDGES
 REMOVE ALL BURRS
 .015 R ALL CORNERS
 UNLESS NOTED.


YATES
 PHONE: (588) 778-7880
 FAX: (588) 778-8585
THIS PRINT IS THE PROPERTY OF YATES IND. INC. AND IS LOANED SUBJECT TO RETURN UPON DEMAND. ITS CONTENTS ARE CONFIDENTIAL AND MUST NOT BE COPIED OR SUBMITTED TO OUTSIDE PARTIES FOR USE OR EXAMINATION. ALL RIGHTS TO DESIGN OR INVENTION ARE RESERVED BY YATES IND. INC.

		MT1RPM		
SIZE	APP'VD.	DWG NO.		REV
C		DB 7-26-98	MT1RPM	
SCALE	NTS	FF 7-26-98		SHEET