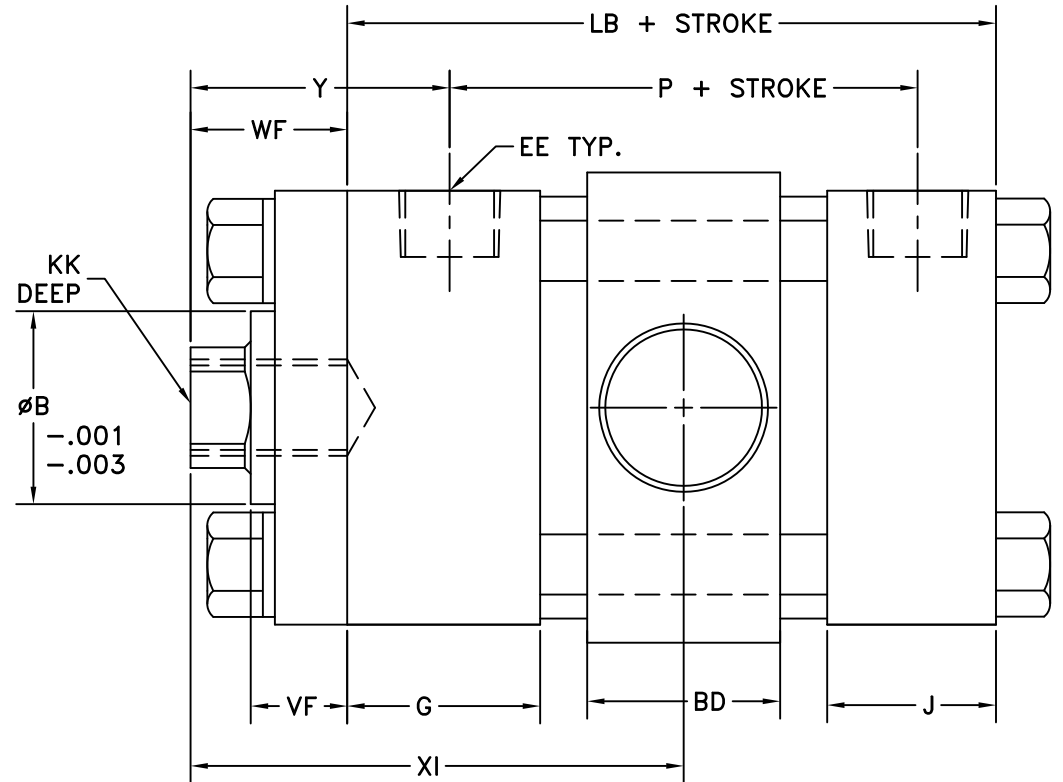
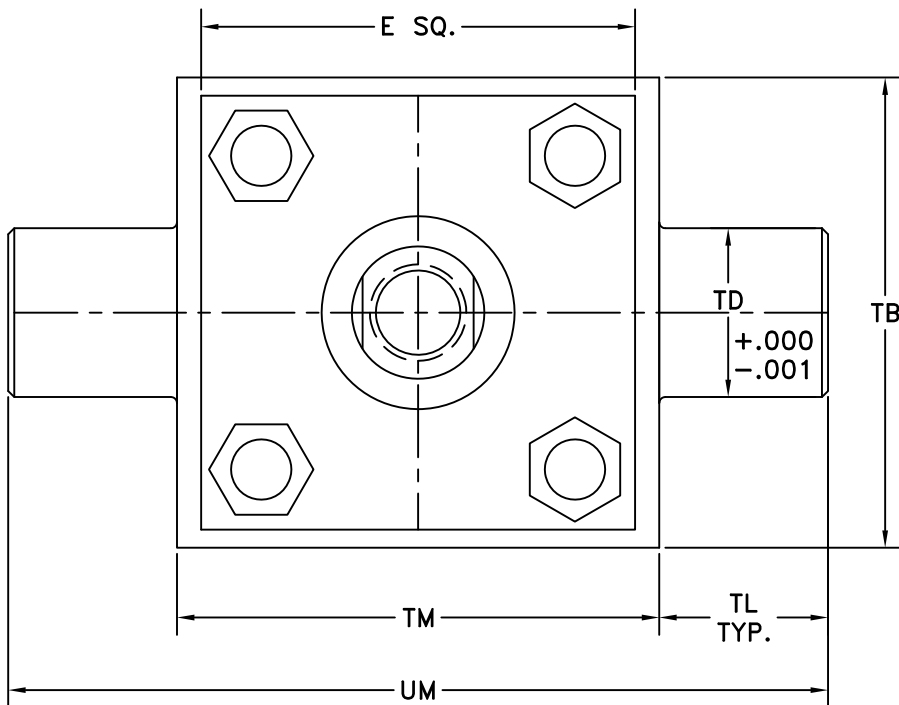


# MT4 MOUNT-STYLE "T"-FEMALE ROD END



OPEN TOLERANCE NOTES:  
 FRACTIONAL DIMS:  $\pm 1/32$   
 2 PLACE DECIMALS  $\pm .010$   
 3 PLACE DECIMALS  $\pm .005$   
 ANGLES  $\pm 30$  MINUTES  
 UNLESS SPECIFIED

BREAK SHARP EDGES  
 REMOVE ALL BURRS  
 .015 R ALL CORNERS  
 UNLESS NOTED.

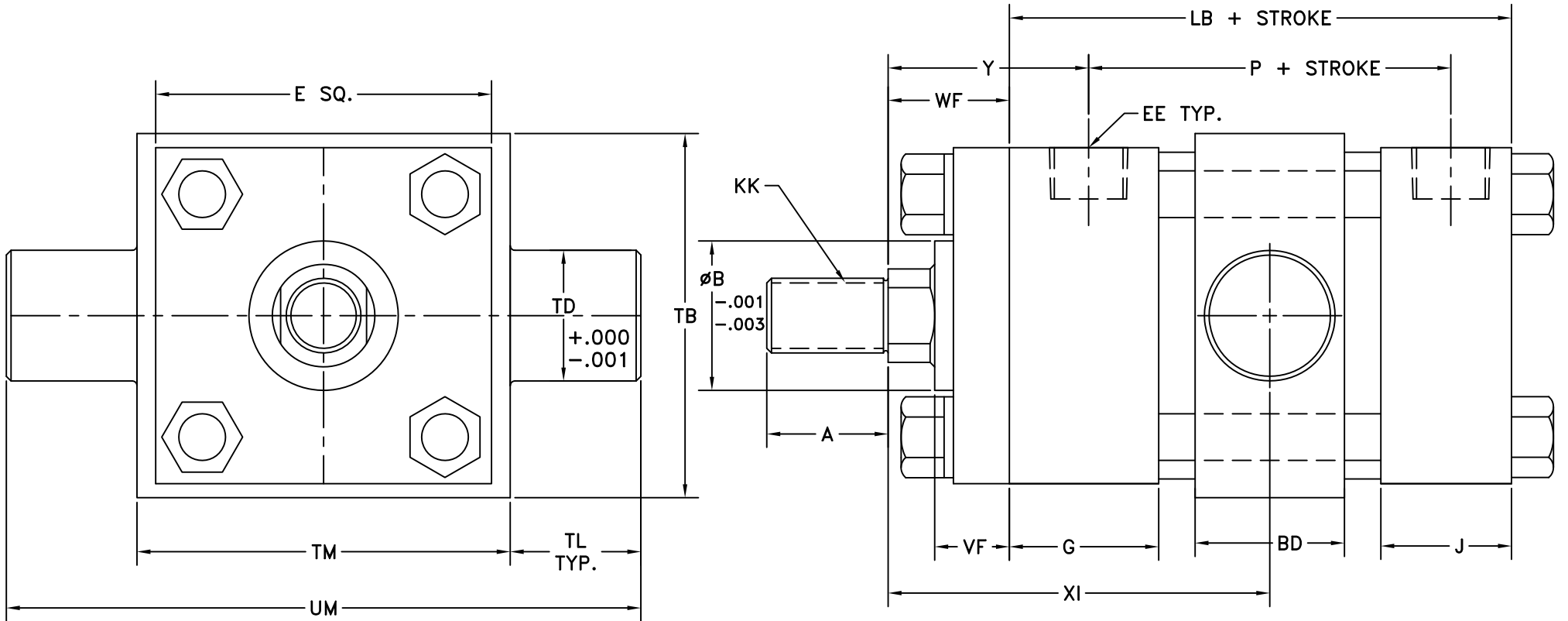
**YATES**  
 CONCEPTS

PHONE: (866) 778-7880  
 FAX: (866) 778-6583

THIS PART IS THE PROPERTY OF YATES INC. AND IS LOANED SUBJECT TO RETURN UPON DEMAND. ITS CONTENTS ARE CONFIDENTIAL AND MUST NOT BE COPIED OR SUBMITTED TO OUTSIDE PARTIES FOR USE OR EXAMINATION. ALL RIGHTS TO DESIGN OR INVENTION ARE RESERVED BY YATES INC. INC.

		<b>MT4RPF</b>		
SIZE	APPLY'D.	DWG NO.		REV
C	DB 7-26-98	MT4RPF		
SCALE	NTS	FF 7-26-98		SHEET

# MT4 MOUNT-STYLE "T"-MALE ROD END



OPEN TOLERANCE NOTES:  
 FRACTIONAL DIMS: ±1/32  
 2 PLACE DECIMALS ±.010  
 3 PLACE DECIMALS ±.005  
 ANGLES ± 30 MINUTES  
 UNLESS SPECIFIED

BREAK SHARP EDGES  
 REMOVE ALL BURRS  
 .015 R ALL CORNERS  
 UNLESS NOTED.

**YATES**  
 CHAINDRIVE

PHONE: (586) 778-7680  
 FAX: (586) 778-6565

THIS PART IS THE PROPERTY OF YATES INC. AND IS LOANED SUBJECT TO RETURN UPON DEMAND. ITS CONTENTS ARE CONFIDENTIAL AND MUST NOT BE COPIED OR SUBMITTED TO OUTSIDE PARTIES FOR USE OR EXAMINATION. ALL RIGHTS TO DESIGN OR INVENTION ARE RESERVED BY YATES INC. INC.

		<b>MT4RPM</b>		
SIZE	APP'Y.	DWG NO.	REV	
C	DB 7-26-98	MT4RPM		
SCALE	NTS	FF 7-26-98	SHEET	