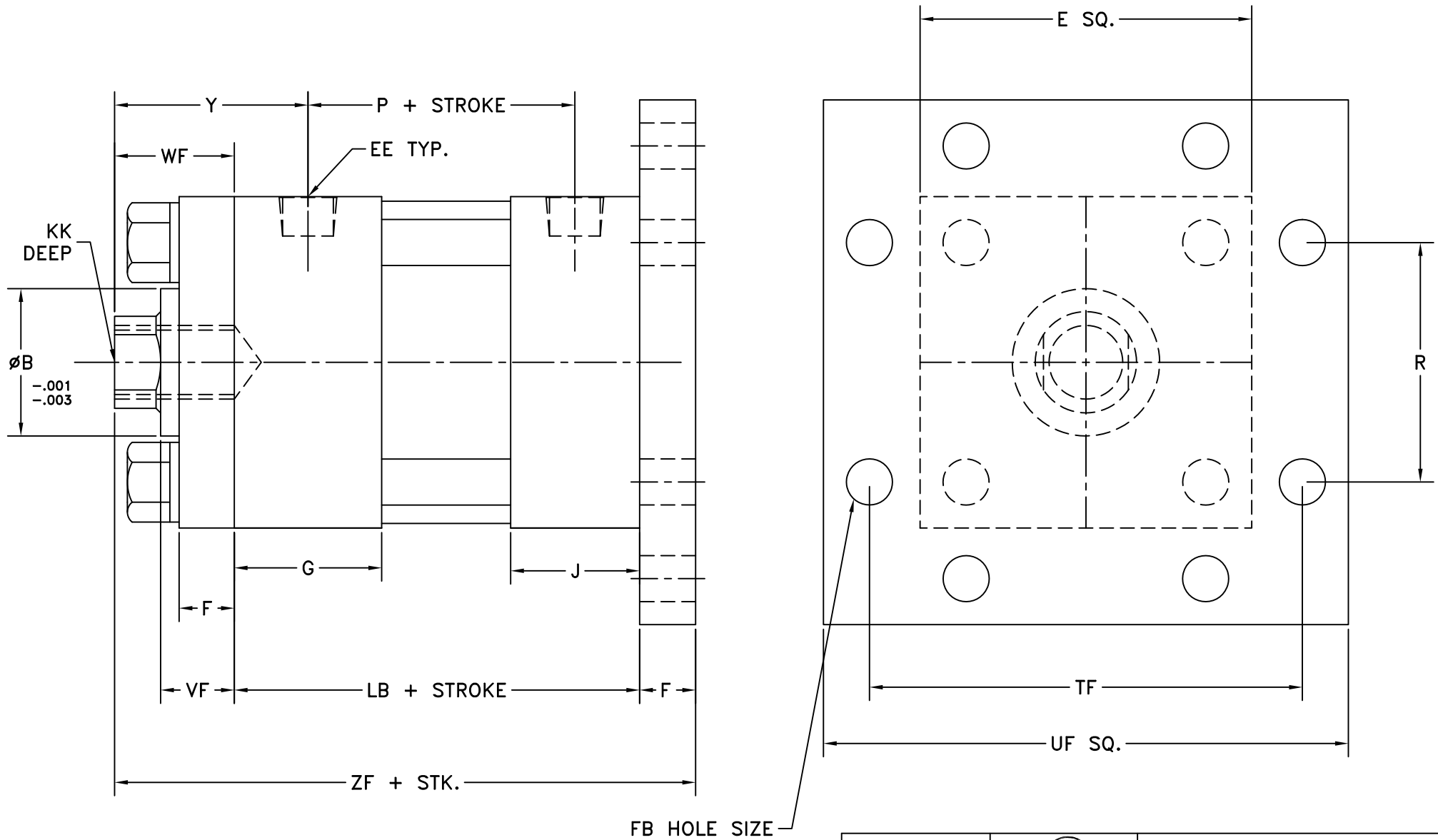


MF6 MOUNT-STYLE "S"-FEMALE ROD END



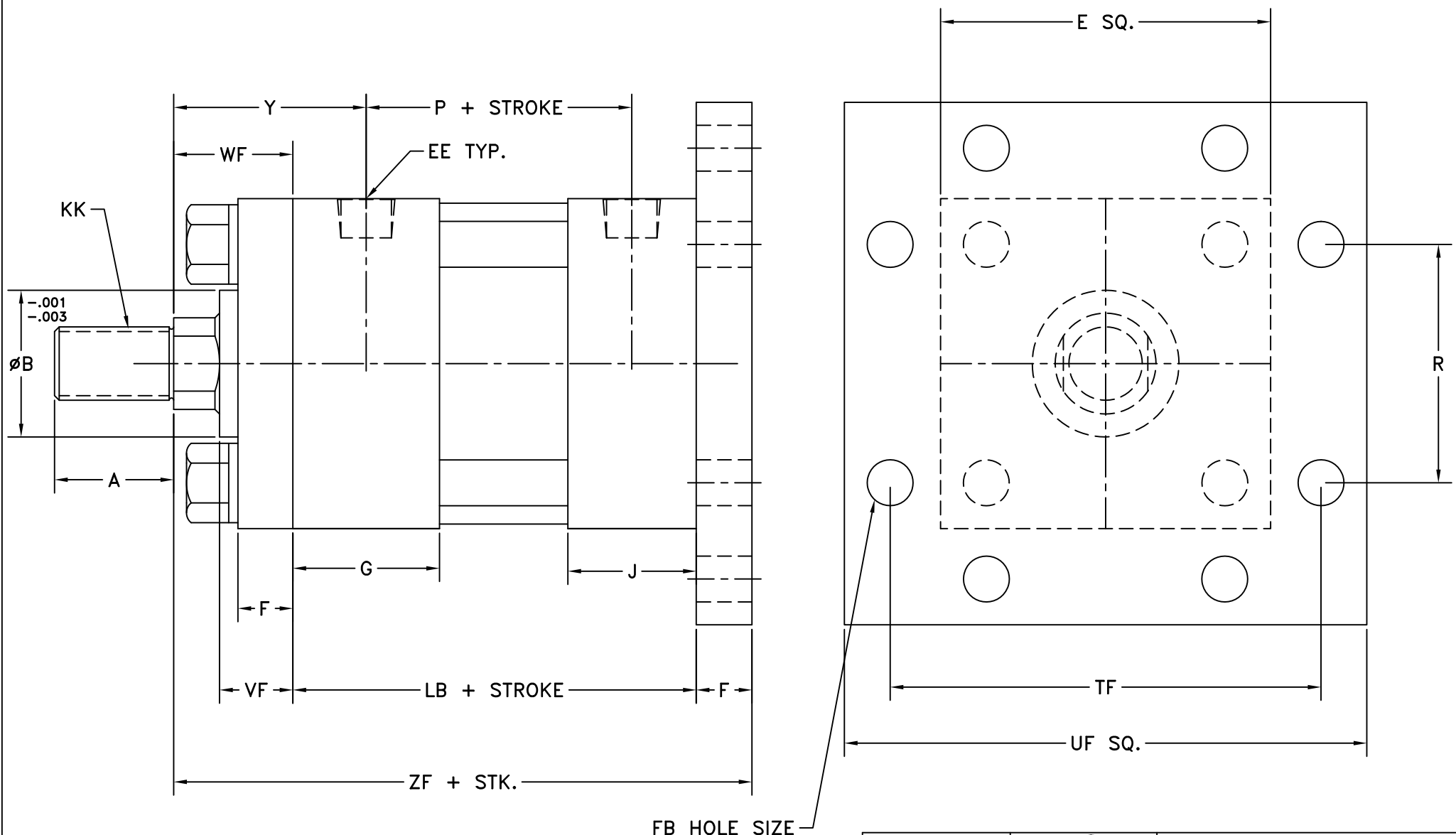
OPEN TOLERANCE NOTES:
 FRACTIONAL DIMS. $\pm 1/32$
 2 PLACE DECIMALS $\pm .010$
 3 PLACE DECIMALS $\pm .005$
 ANGLES ± 30 MINUTES
 UNLESS SPECIFIED

BREAK SHARP EDGES
 REMOVE ALL BURRS
 .015 R ALL CORNERS
 UNLESS NOTED.



YATES
Hydraulics
 PHONE: (586) 778-7880
 FAX: (586) 778-8585
THIS PRINT IS THE PROPERTY OF YATES IND. INC. AND IS LOANED SUBJECT TO RETURN UPON DEMAND. ITS CONTENTS ARE CONFIDENTIAL AND MUST NOT BE COPIED OR SUBMITTED TO OUTSIDE PARTIES FOR USE OR EXAMINATION. ALL RIGHTS TO DESIGN OR INVENTION ARE RESERVED BY YATES IND. INC.

MF6RPF		REV
SIZE C	APP'D. DB 7-26-98	DWG NO. MF6RPF
SCALE NTS	FF 7-26-98	SHEET

MF6 MOUNT-STYLE "S"-MALE ROD END



FB HOLE SIZE

<p>OPEN TOLERANCE NOTES: FRACTIONAL DIMS. $\pm 1/32$ 2 PLACE DECIMALS $\pm .010$ 3 PLACE DECIMALS $\pm .005$ ANGLES ± 30 MINUTES UNLESS SPECIFIED</p> <p>BREAK SHARP EDGES REMOVE ALL BURRS .015 R ALL CORNERS UNLESS NOTED.</p>	 PHONE: (888) 778-7880 FAX: (888) 778-8585	MF6RPM		
		SIZE C	APPY'D. DB 7-26-98	DWG NO. MF6RPM
		SCALE NTS	FF 7-26-98	SHEET