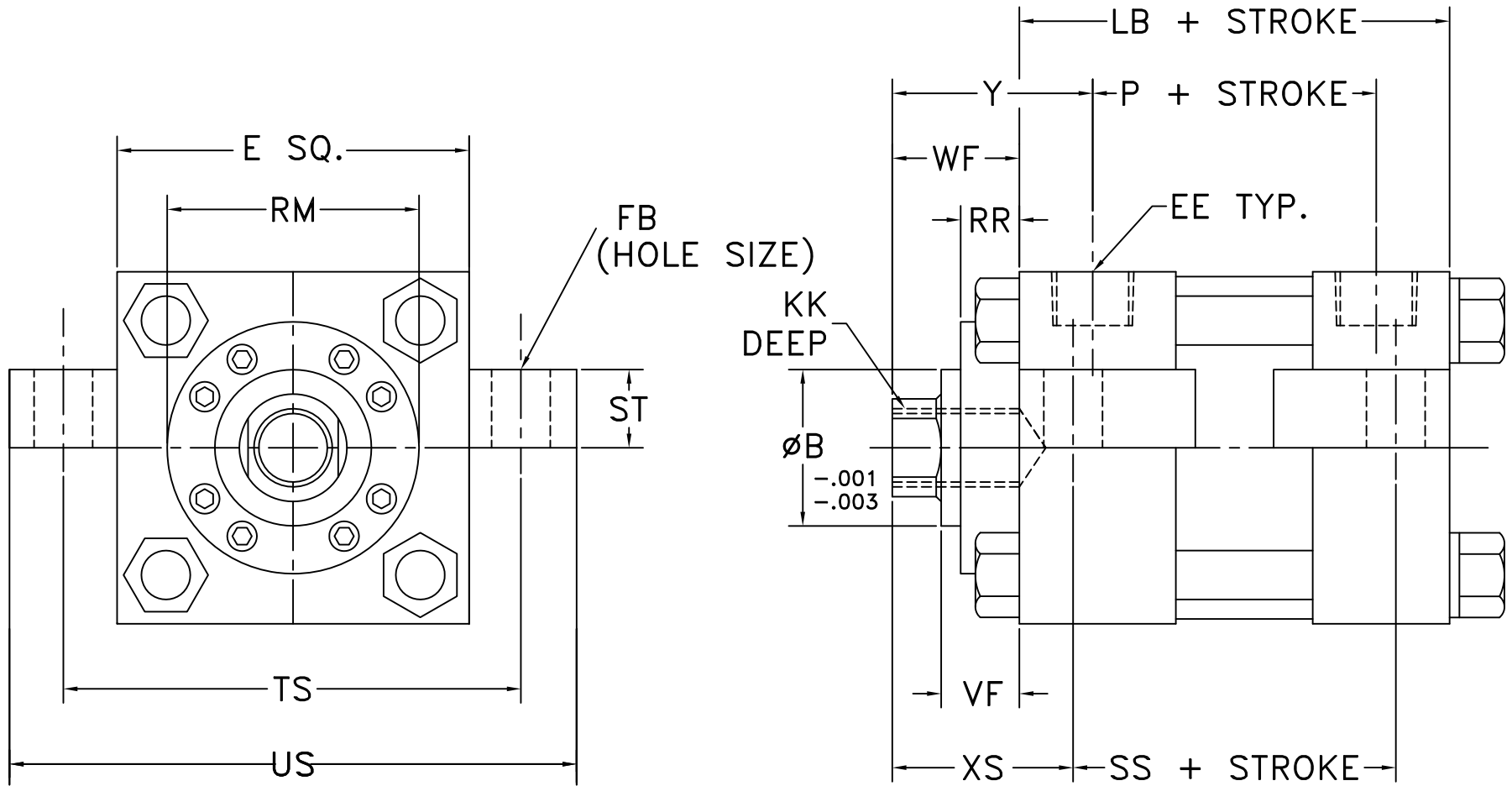



MS3 MOUNT-STYLE "H"-FEMALE ROD END



OPEN TOLERANCE NOTES:
 FRACTIONAL DIMS. $\pm 1/32$
 2 PLACE DECIMALS $\pm .010$
 3 PLACE DECIMALS $\pm .005$
 ANGLES ± 30 MINUTES
 UNLESS SPECIFIED

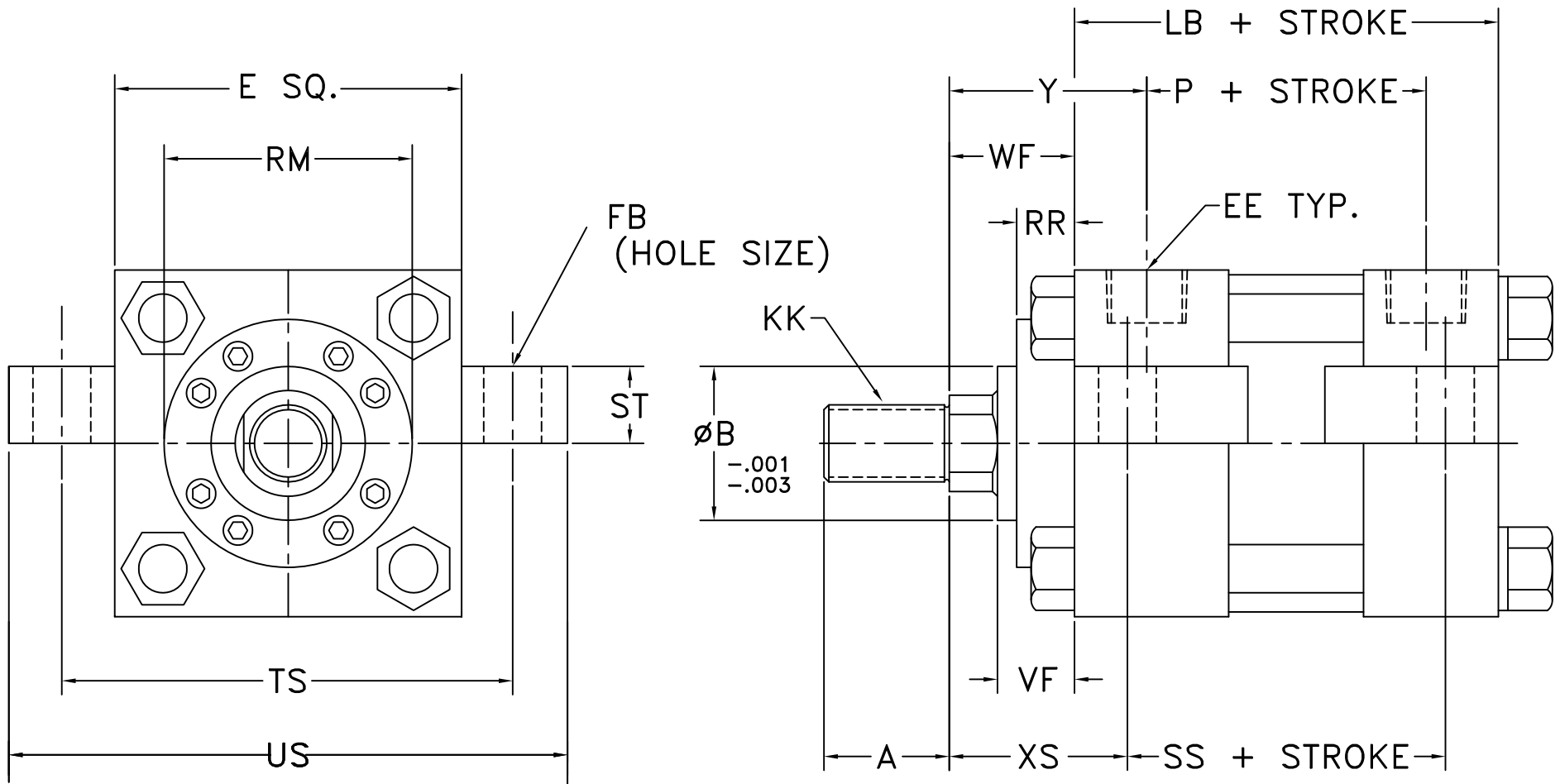
 BREAK SHARP EDGES
 REMOVE ALL BURRS
 .015 R ALL CORNERS
 UNLESS NOTED.



PHONE: (586) 778-7680
 FAX: (586) 778-6565
THIS PRINT IS THE PROPERTY OF YATES IND. INC. AND IS LOANED SUBJECT TO RETURN UPON DEMAND. ITS CONTENTS ARE CONFIDENTIAL AND MUST NOT BE COPIED OR SUBMITTED TO OUTSIDE PARTIES FOR USE OR EXAMINATION. ALL RIGHTS TO DESIGN OR INVENTION ARE RESERVED BY YATES IND. INC.

MS3-1			
STYLE "H"			
SIZE C	APPV'D.	DWG NO.	REV
SCALE			SHEET

MS3 MOUNT-STYLE "H"-MALE ROD END



OPEN TOLERANCE NOTES:
 FRACTIONAL DIMS. $\pm 1/32$
 2 PLACE DECIMALS $\pm .010$
 3 PLACE DECIMALS $\pm .005$
 ANGLES ± 30 MINUTES
 UNLESS SPECIFIED

BREAK SHARP EDGES
 REMOVE ALL BURRS
 .015 R ALL CORNERS
 UNLESS NOTED.



PHONE: (586) 778-7680
 FAX: (586) 778-6565

THIS PRINT IS THE PROPERTY OF YATES IND. INC. AND IS LOANED SUBJECT TO RETURN UPON DEMAND. ITS CONTENTS ARE CONFIDENTIAL AND MUST NOT BE COPIED OR SUBMITTED TO OUTSIDE PARTIES FOR USE OR EXAMINATION. ALL RIGHTS TO DESIGN OR INVENTION ARE RESERVED BY YATES IND. INC.

MS3-2

STYLE "H"

SIZE
C

APPV'D.

DWG NO.

REV

SCALE

SHEET