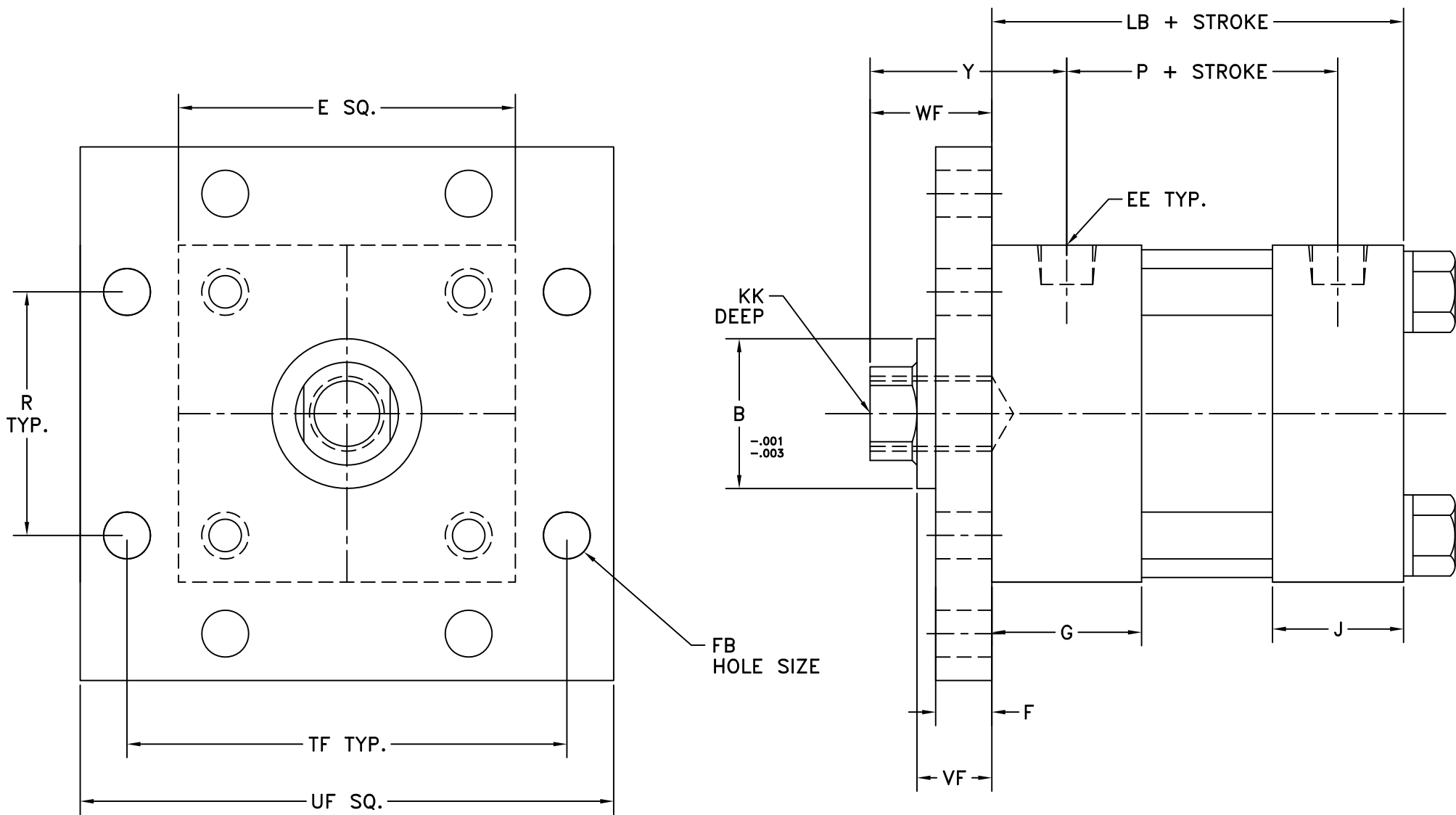


# MF5 MOUNT-STYLE "J"-FEMALE ROD END



**OPEN TOLERANCE NOTES:**  
 FRACTIONAL DIMS.  $\pm 1/32$   
 2 PLACE DECIMALS  $\pm .010$   
 3 PLACE DECIMALS  $\pm .005$   
 ANGLES  $\pm 30$  MINUTES  
 UNLESS SPECIFIED

**BREAK SHARP EDGES  
 REMOVE ALL BURRS  
 .015 R ALL CORNERS  
 UNLESS NOTED.**

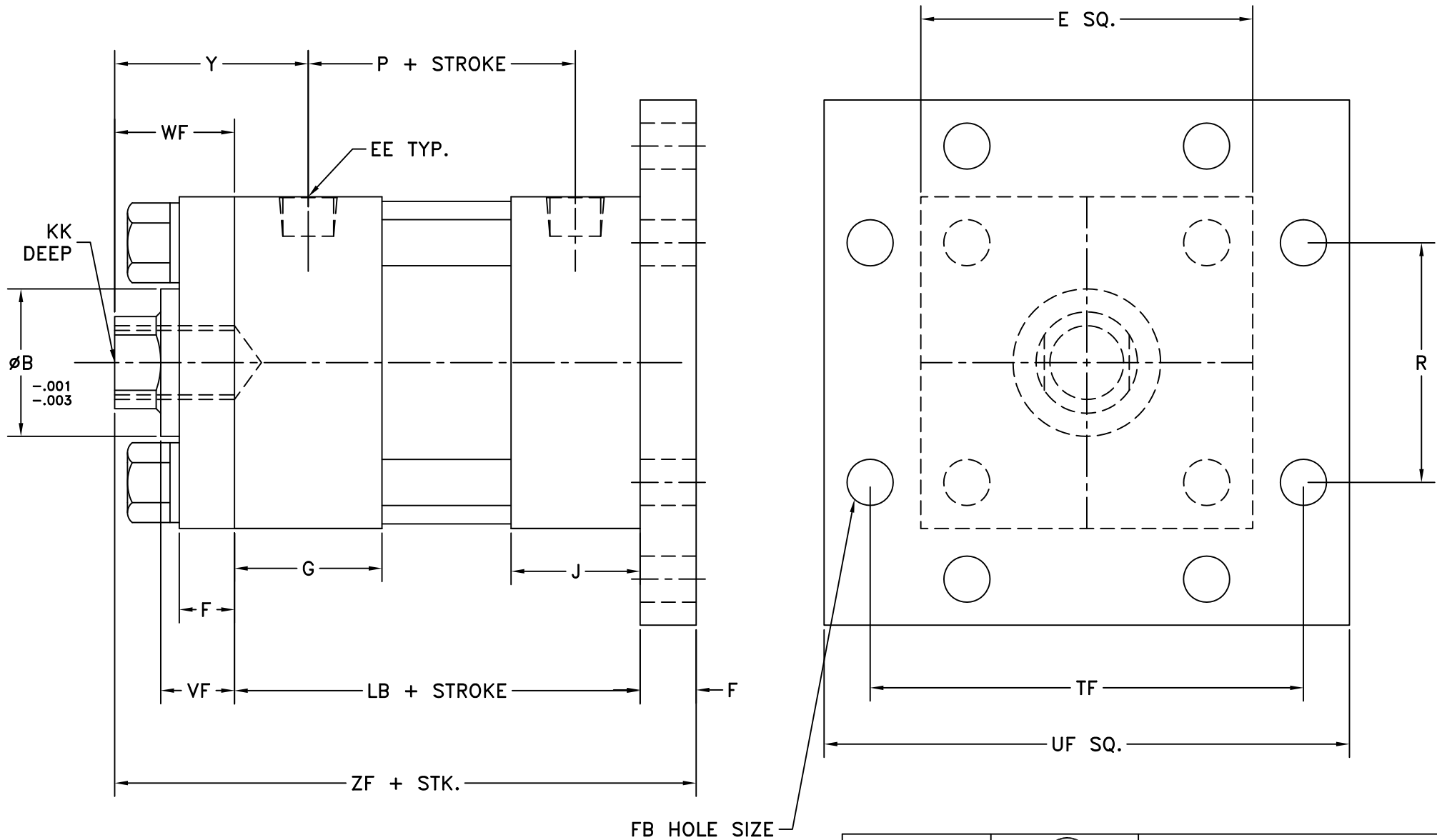
**YATES**  
*Dynalene*

PHONE: (586) 778-7680  
 FAX: (586) 778-6565

THIS PRINT IS THE PROPERTY OF YATES IND. INC. AND IS LOANED SUBJECT TO RETURN UPON DEMAND. ITS CONTENTS ARE CONFIDENTIAL AND MUST NOT BE COPIED OR SUBMITTED TO OUTSIDE PARTIES FOR USE OR EXAMINATION. ALL RIGHTS TO DESIGN OR INVENTION ARE RESERVED BY YATES IND. INC.

<h2 style="margin: 0;">MF5RPF</h2>			
SIZE	APP'D.	DWG NO.	REV
C	DB 7-25-98	MF5RPF	
SCALE		NTS/FF 7-25-98	SHEET

# MF6 MOUNT-STYLE "S"-FEMALE ROD END



OPEN TOLERANCE NOTES:  
 FRACTIONAL DIMS.  $\pm 1/32$   
 2 PLACE DECIMALS  $\pm .010$   
 3 PLACE DECIMALS  $\pm .005$   
 ANGLES  $\pm 30$  MINUTES  
 UNLESS SPECIFIED

BREAK SHARP EDGES  
 REMOVE ALL BURRS  
 .015 R ALL CORNERS  
 UNLESS NOTED.

**YATES**  
*Div. of*  
**YATES**

PHONE: (586) 778-7890  
 FAX: (586) 778-6865

THIS PRINT IS THE PROPERTY OF YATES IND. INC. AND IS LOANED SUBJECT TO RETURN UPON DEMAND. ITS CONTENTS ARE CONFIDENTIAL AND MUST NOT BE COPIED OR SUBMITTED TO OUTSIDE PARTIES FOR USE OR EXAMINATION. ALL RIGHTS TO DESIGN OR INVENTION ARE RESERVED BY YATES IND. INC.

<b>MF6RPF</b>			
SIZE	APP'D.	DWG NO.	REV
C	DB 7-26-98	MF6RPF	
SCALE	NTS	FF 7-26-98	SHEET