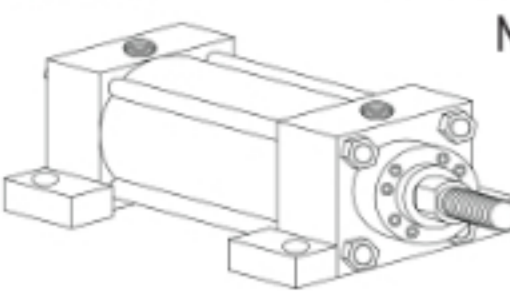
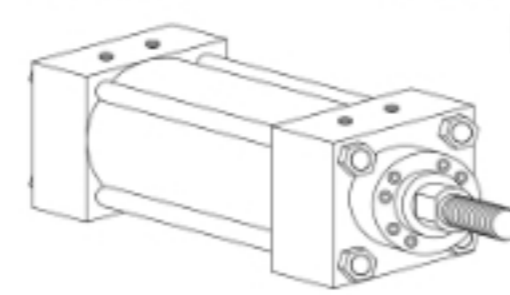
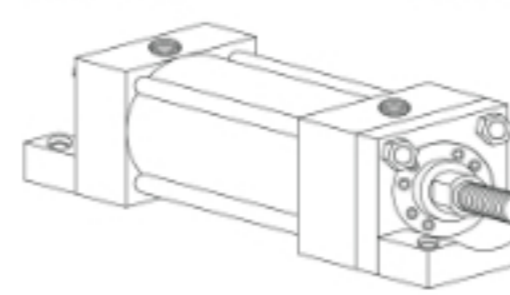
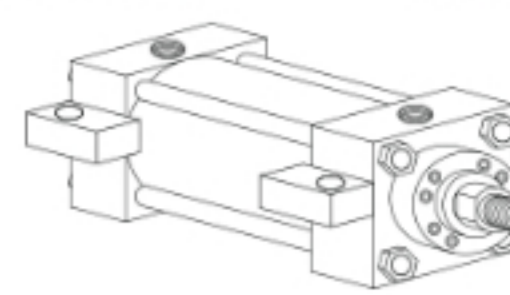
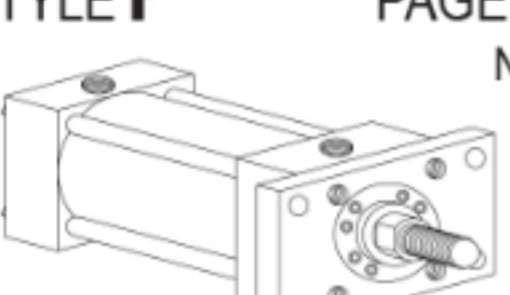
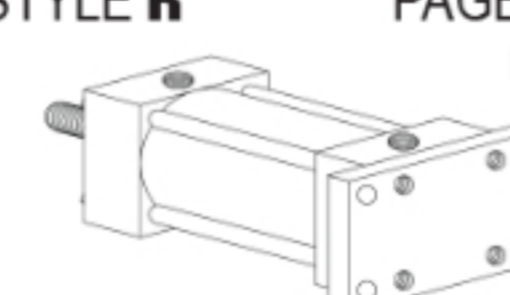
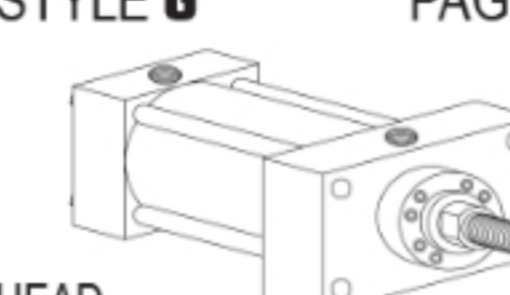
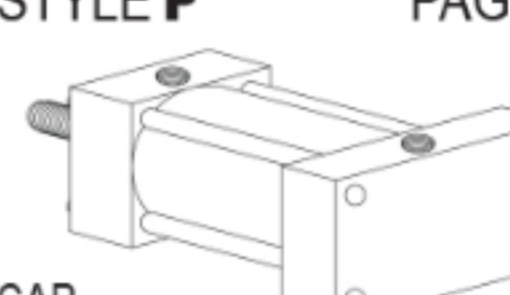
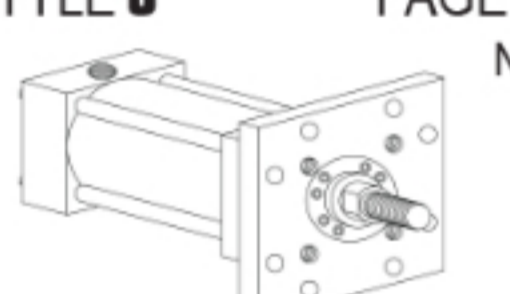
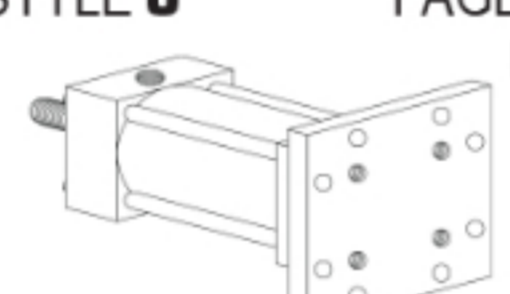
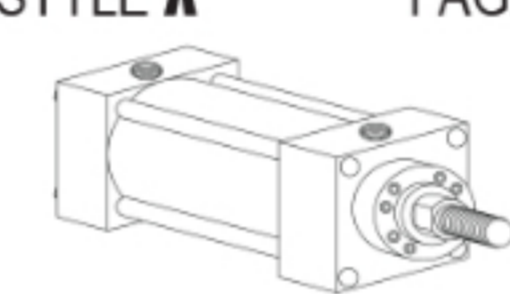
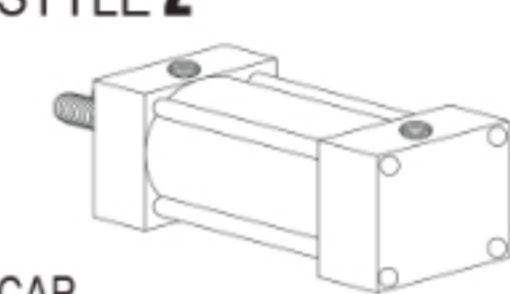
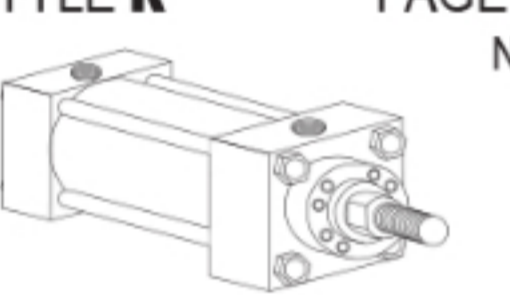
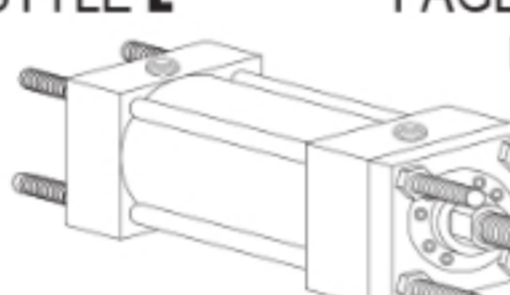
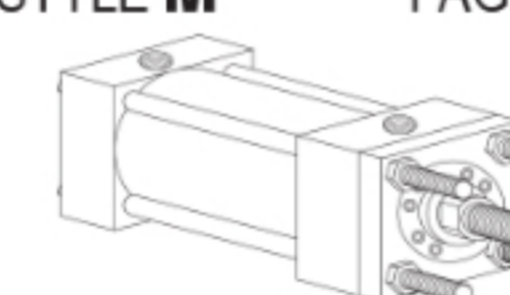
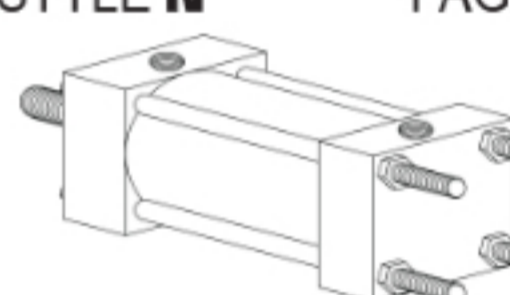


# Side Mounts

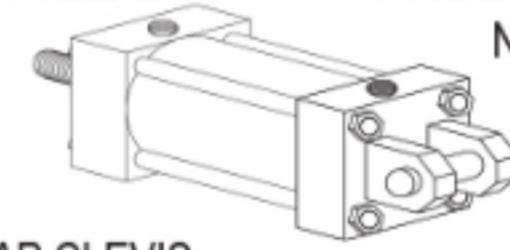
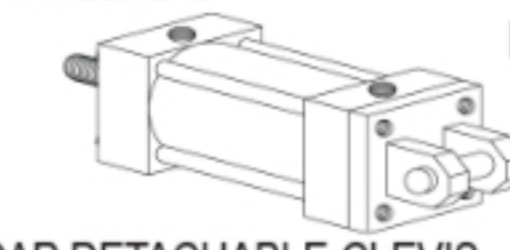

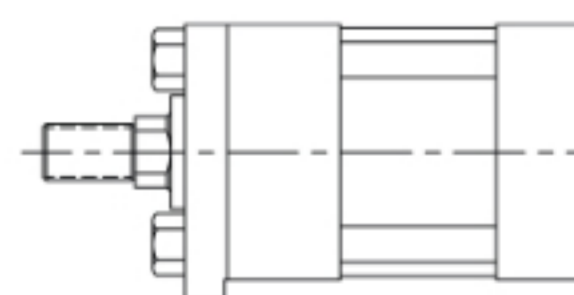
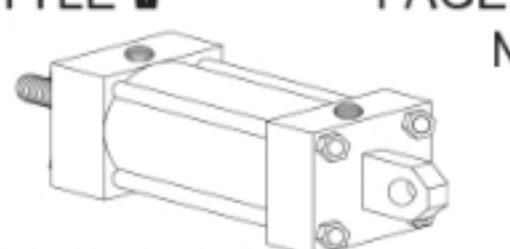
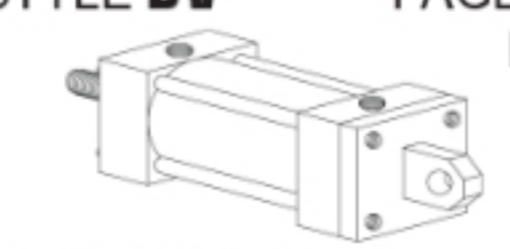
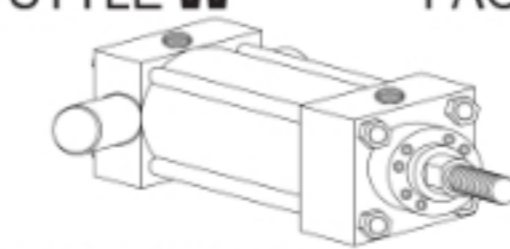
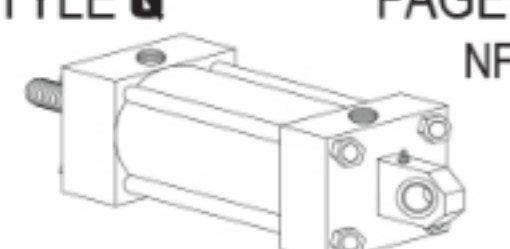
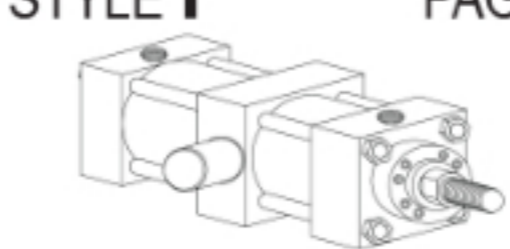
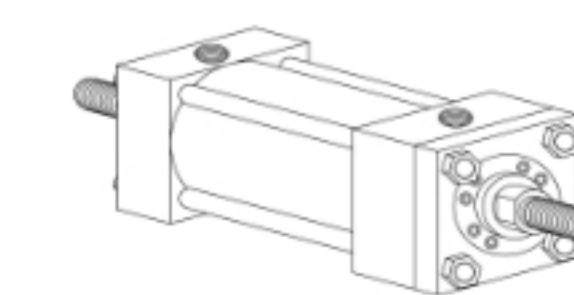
|   |  |  |   |
|---|--|--|---|
| <p><b>STYLE A</b> PAGE <b>46-49</b><br/>NFPA-MS2</p>  <p>SIDE LUGS<br/>1 1/2-20" BORE</p> | <p><b>STYLE B</b> PAGE <b>46-49</b><br/>NFPA-MS4</p>  <p>SIDE TAPPED<br/>1 1/2-20" BORE</p> | <p><b>STYLE E</b> PAGE <b>50-51</b><br/>NFPA-MS7</p>  <p>SIDE END LUGS<br/>1 1/2-14" BORE</p> | <p><b>STYLE H</b> PAGE <b>46-49</b><br/>NFPA-MS3</p>  <p>CENTER-LINE LUGS<br/>1 1/2-20" BORE</p> |
|---|--|--|---|

# End Mounts

|  |  |  |   |
|--|--|--|---|
| <p><b>STYLE F</b> PAGE <b>64-65</b><br/>NFPA-MF1</p>  <p>HEAD RECTANGULAR FLANGE<br/>1 1/2-6" BORE</p> | <p><b>STYLE R</b> PAGE <b>64-65</b><br/>NFPA-MF2</p>  <p>CAP RECTANGULAR FLANGE<br/>1 1/2-6" BORE</p>         | <p><b>STYLE G</b> PAGE <b>66-67</b><br/>NFPA-ME5</p>  <p>HEAD RECTANGULAR INTEGRAL FLANGE<br/>1 1/2-6" BORE</p> | <p><b>STYLE P</b> PAGE <b>66-67</b><br/>NFPA-ME6</p>  <p>CAP RECTANGULAR INTEGRAL FLANGE<br/>1 1/2-6" BORE</p> |
| <p><b>STYLE J</b> PAGE <b>64-65</b><br/>NFPA-MF5</p>  <p>HEAD SQUARE FLANGE<br/>1 1/2-6" BORE</p>    | <p><b>STYLE S</b> PAGE <b>64-65</b><br/>NFPA-MF6</p>  <p>CAP SQUARE FLANGE<br/>1 1/2-6" BORE</p>            | <p><b>STYLE X</b> PAGE <b>68-69</b><br/>NFPA-ME3</p>  <p>SQUARE INTEGRAL FLANGE<br/>8-20" BORE</p>            | <p><b>STYLE Z</b> PAGE <b>68-69</b><br/>NFPA-ME4</p>  <p>CAP SQUARE INTEGRAL FLANGE<br/>8-20" BORE</p>       |
| <p><b>STYLE K</b> PAGE <b>70-73</b><br/>NFPA-MX0</p>  <p>NO TIE RODS EXTENDED<br/>1 1/2-20" BORE</p> | <p><b>STYLE L</b> PAGE <b>70-73</b><br/>NFPA-MX1</p>  <p>BOTH ENDS TIE RODS EXTENDED<br/>1 1/2-20" BORE</p> | <p><b>STYLE M</b> PAGE <b>70-73</b><br/>NFPA-MX3</p>  <p>HEAD TIE RODS EXTENDED<br/>1 1/2-20" BORE</p>        | <p><b>STYLE N</b> PAGE <b>70-73</b><br/>NFPA-MX2</p>  <p>CAP TIE RODS EXTENDED<br/>1 1/2-20" BORE</p>        |

# Pivot Mounts - Clevis & Eye

# Pivot Mounts - Trunnion

|  |  |  |   |
|--|--|--|---|
| <p><b>STYLE C</b> PAGE <b>54-57</b><br/>NFPA-MP1</p>  <p>CAP CLEVIS<br/>1 1/2-20" BORE</p>         | <p><b>STYLE DC</b> PAGE <b>58-59</b><br/>NFPA-MP2</p>  <p>CAP DETACHABLE CLEVIS<br/>1 1/2-6" BORE</p> | <p><b>STYLE U</b> PAGE <b>60-63</b><br/>NFPA-MT1</p>  <p>HEAD TRUNNION<br/>1 1/2-20" BORE</p>               | <p>EXTENDED KEY PLATE<br/>(ADD "S" IN PART # AND STATE<br/>EXTENDED KEY PLATE IN<br/>DESCRIPTION)</p>  <p>1 1/2-6" BORE PAGE <b>75</b></p> |
| <p><b>STYLE V</b> PAGE <b>54-57</b><br/>NFPA-MP3</p>  <p>CAP FIXED EYE<br/>1 1/2-20" BORE</p>      | <p><b>STYLE DV</b> PAGE <b>58-59</b><br/>NFPA-MP4</p>  <p>CAP DETACHABLE EYE<br/>1 1/2-6" BORE</p>    | <p><b>STYLE W</b> PAGE <b>60-63</b><br/>NFPA-MT2</p>  <p>CAP TRUNNION<br/>1 1/2-20" BORE</p>                |   |
| <p><b>STYLE Q</b> PAGE <b>52-53</b><br/>NFPA-MPU3</p>  <p>SPHERICAL BEARING<br/>1 1/2-14" BORE</p> |  | <p><b>STYLE T</b> PAGE <b>60-63</b><br/>NFPA-MT4</p>  <p>INTERMEDIATE FIXED TRUNNION<br/>1 1/2-14" BORE</p> | <p>DOUBLE ROD END<br/>(ADD "D" AFTER MOUNT STYLE)</p>  <p>1 1/2-20" BORE PAGE <b>74-75</b></p>   |