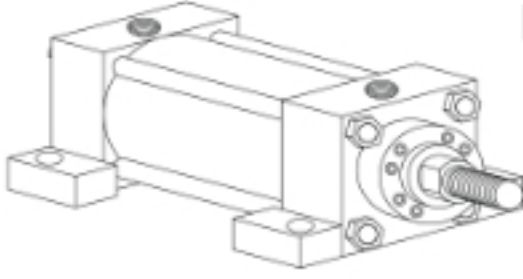
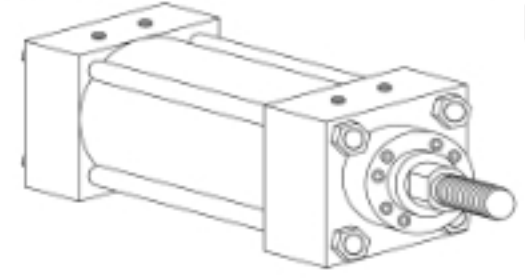
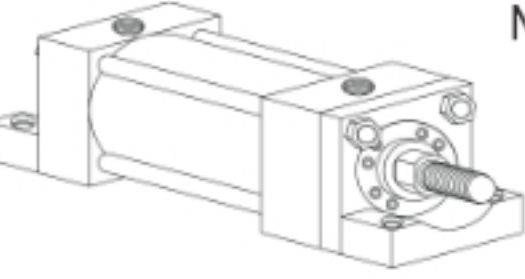
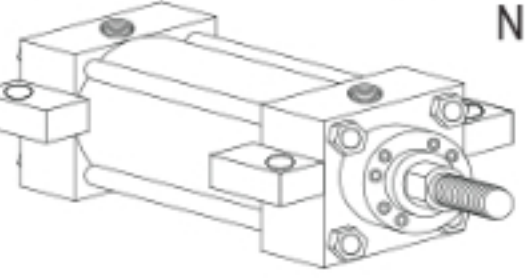
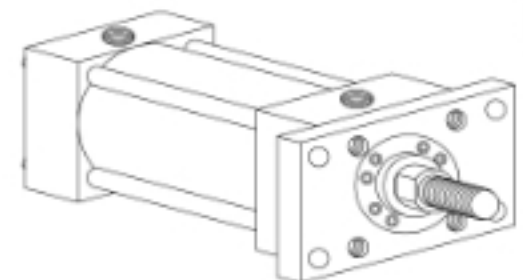
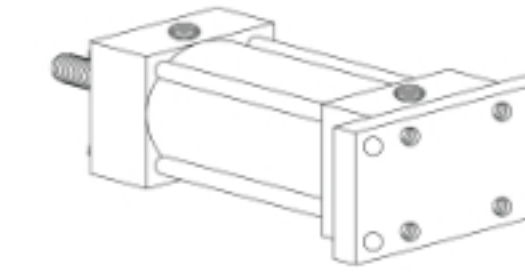
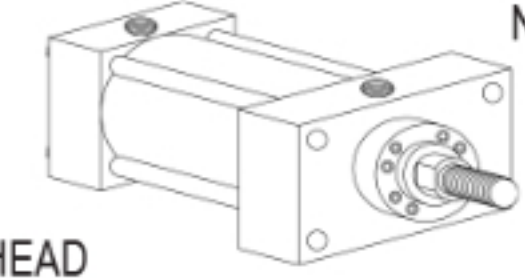
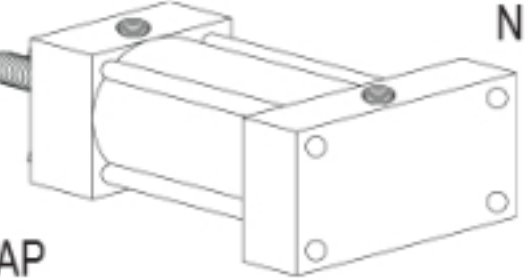
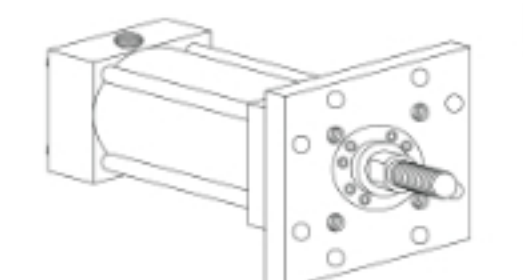
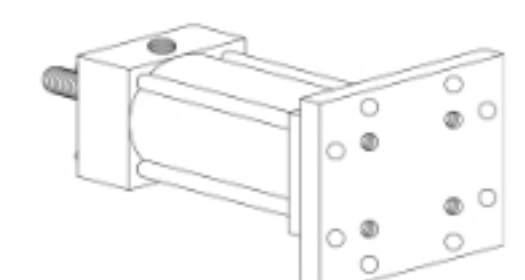
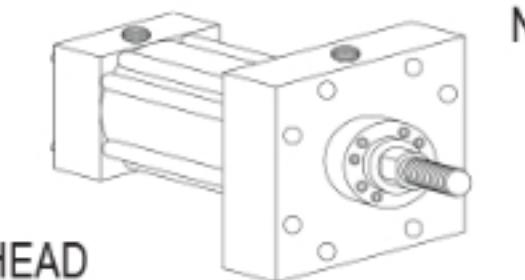
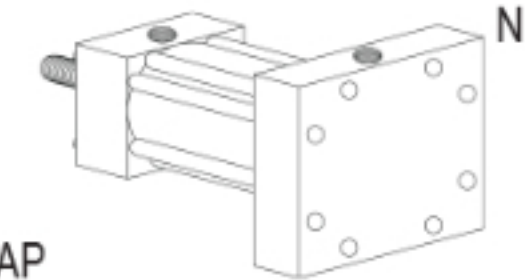
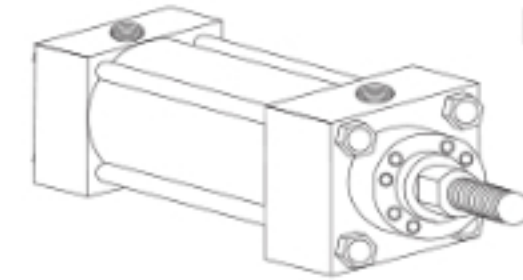
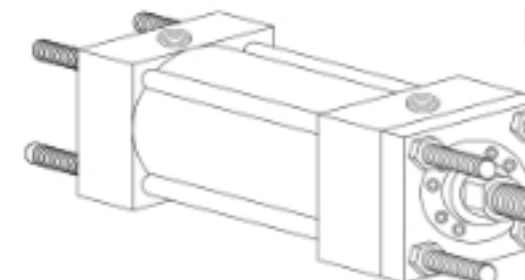
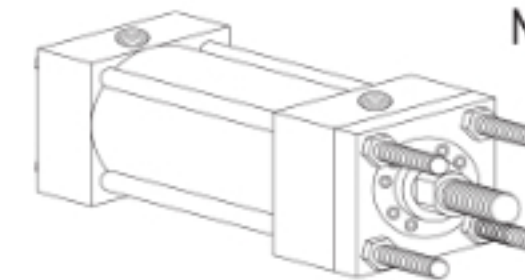
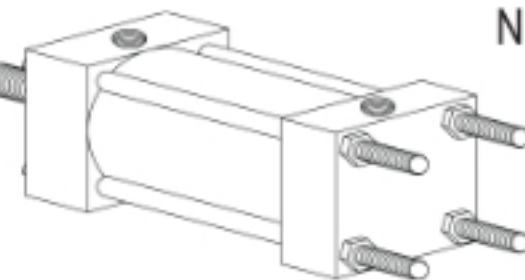


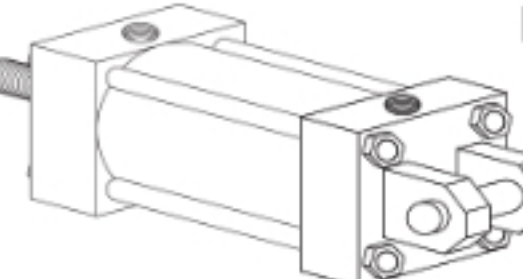
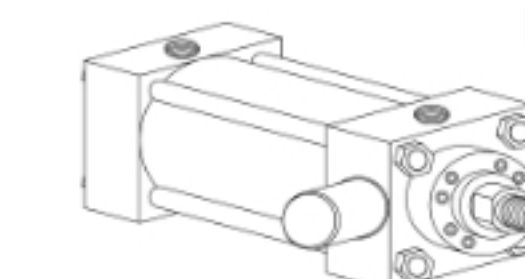
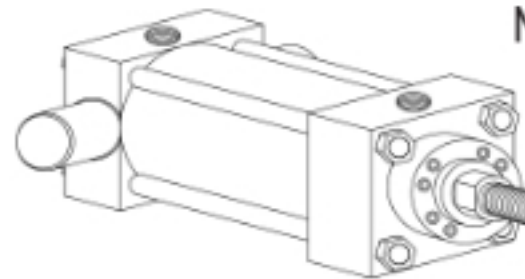
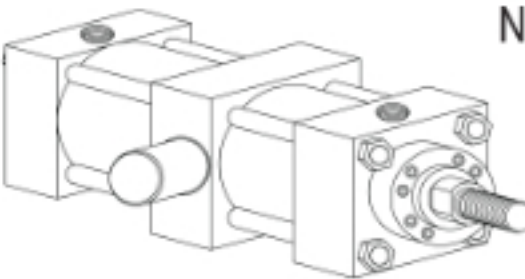
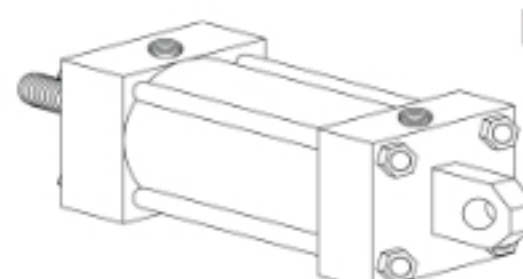
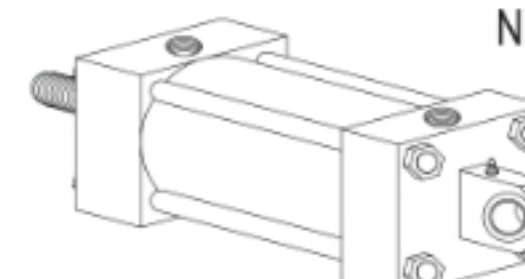
## Side Mounts

<p><b>STYLE A</b> PAGE <b>10-11</b> NFPA-MS2</p>  <p>SIDE LUGS 1 1/2-8" BORE</p>	<p><b>STYLE B</b> PAGE <b>10-11</b> NFPA-MS4</p>  <p>SIDE TAPPED 1 1/2-8" BORE</p>	<p><b>STYLE E</b> PAGE <b>12-13</b> NFPA-MS7</p>  <p>SIDE END LUGS 1 1/2-8" BORE</p>	<p><b>STYLE H</b> PAGE <b>10-11</b> NFPA-MS3</p>  <p>CENTER-LINE LUGS 1 1/2-8" BORE</p>
--	---	---	--

## End Mounts

<p><b>STYLE F</b> PAGE <b>24-25</b> NFPA-MF1</p>  <p>HEAD RECTANGULAR FLANGE 1 1/2-8" BORE</p>	<p><b>STYLE R</b> PAGE <b>24-25</b> NFPA-MF2</p>  <p>CAP RECTANGULAR FLANGE 1 1/2-8" BORE</p>	<p><b>STYLE G</b> PAGE <b>26-27</b> NFPA-ME5</p>  <p>HEAD RECTANGULAR INTEGRAL FLANGE 1 1/2-14" BORE</p>	<p><b>STYLE P</b> PAGE <b>26-27</b> NFPA-ME6</p>  <p>CAP RECTANGULAR INTEGRAL FLANGE 1 1/2-14" BORE</p>
<p><b>STYLE J</b> PAGE <b>24-25</b> NFPA-MF5</p>  <p>HEAD SQUARE FLANGE 1 1/2-8" BORE</p>	<p><b>STYLE S</b> PAGE <b>24-25</b> NFPA-MF6</p>  <p>CAP SQUARE FLANGE 1 1/2-8" BORE</p>	<p><b>STYLE X</b> PAGE <b>28-29</b> NFPA-ME3</p>  <p>HEAD SQUARE INTEGRAL FLANGE 10-24" BORE</p>	<p><b>STYLE Z</b> PAGE <b>28-29</b> NFPA-ME4</p>  <p>CAP SQUARE INTEGRAL FLANGE 10-24" BORE</p>
<p><b>STYLE K</b> PAGE <b>30-33</b> NFPA-MX0</p>  <p>NO TIE RODS EXTENDED 1 1/2-24" BORE</p>	<p><b>STYLE L</b> PAGE <b>30-31</b> NFPA-MX1</p>  <p>BOTH ENDS TIE RODS EXTENDED 1 1/2-8" BORE</p>	<p><b>STYLE M</b> PAGE <b>30-31</b> NFPA-MX3</p>  <p>HEAD TIE RODS EXTENDED 1 1/2-8" BORE</p>	<p><b>STYLE N</b> PAGE <b>30-31</b> NFPA-MX2</p>  <p>CAP TIE RODS EXTENDED 1 1/2-8" BORE</p>

## Pivot Mounts - Clevis & Trunnion

<p><b>STYLE C</b> PAGE <b>16-19</b> NFPA-MP1</p>  <p>FIXED CLEVIS 1 1/2-24" BORE</p>	<p><b>STYLE U</b> PAGE <b>20-23</b> NFPA-MT1</p>  <p>HEAD TRUNNION 1 1/2-24" BORE</p>	<p><b>STYLE W</b> PAGE <b>20-23</b> NFPA-MT2</p>  <p>CAP TRUNNION 1 1/2-24" BORE</p>	<p><b>STYLE T</b> PAGE <b>20-21</b> NFPA-MT4</p>  <p>INTERMEDIATE FIXED TRUNNION 1 1/2-8" BORE</p>
<p><b>STYLE V</b> PAGE <b>16-19</b> NFPA-MP3</p>  <p>CAP FIXED EYE 1 1/2-14" BORE</p>	<p><b>STYLE Q</b> PAGE <b>14-15</b> NFPA-MPU3</p>  <p>SPHERICAL BEARING 1 1/2-6" BORE</p>		