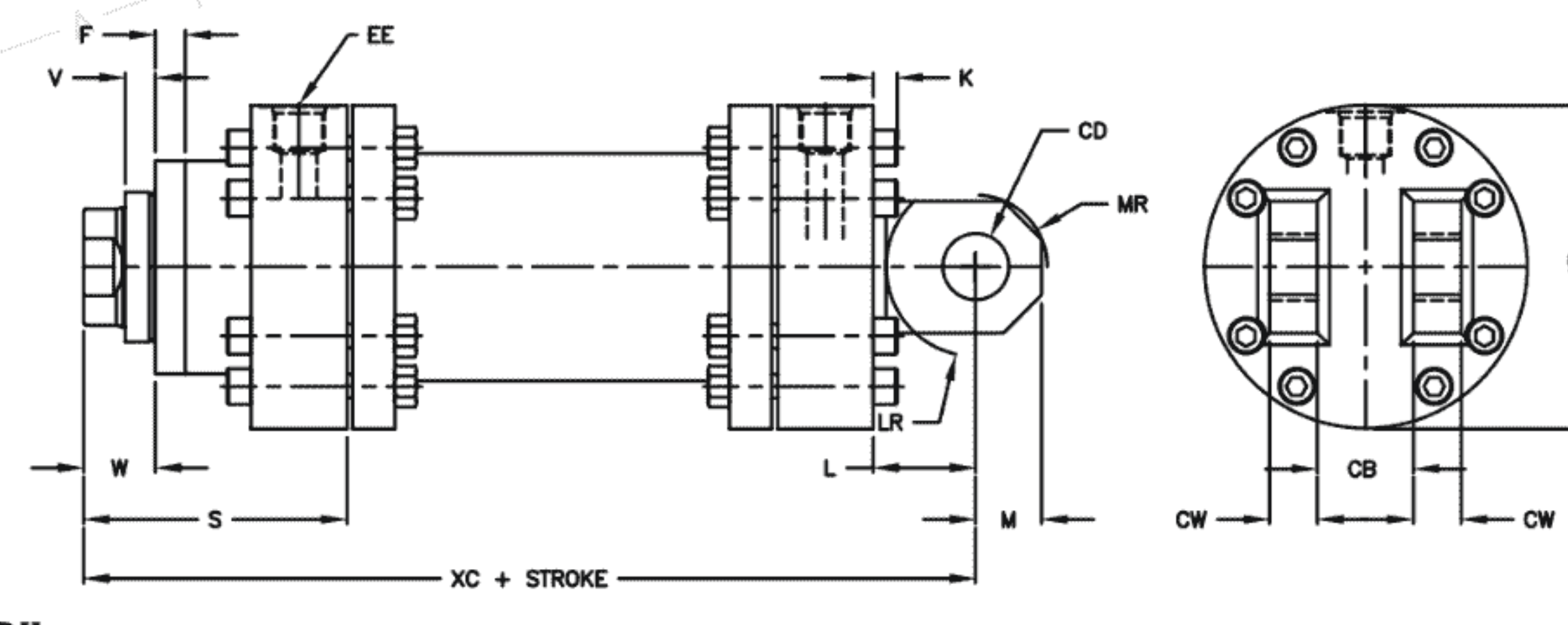
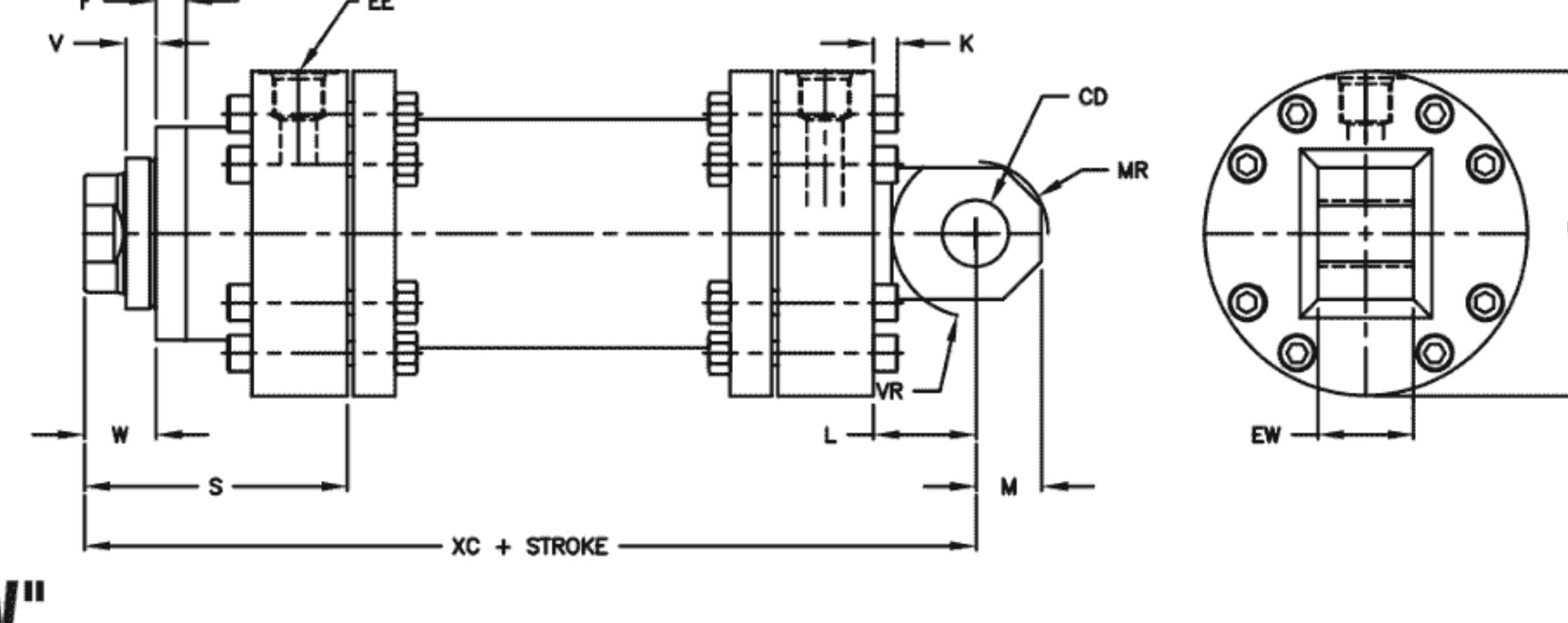


Cap Fixed Clevis Mount



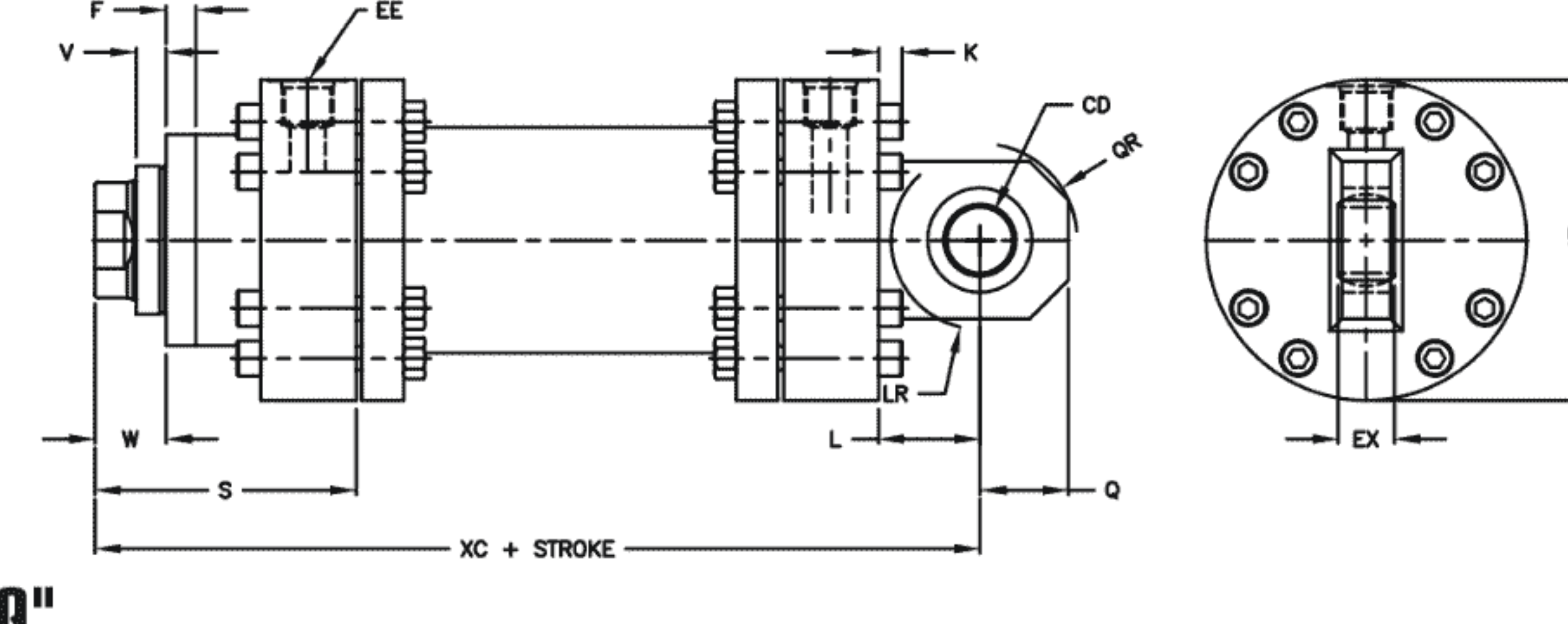
YATES STYLE "C"
2" - 8" BORE

Cap Fixed Eye Mount



YATES STYLE "V"
2" - 8" BORE

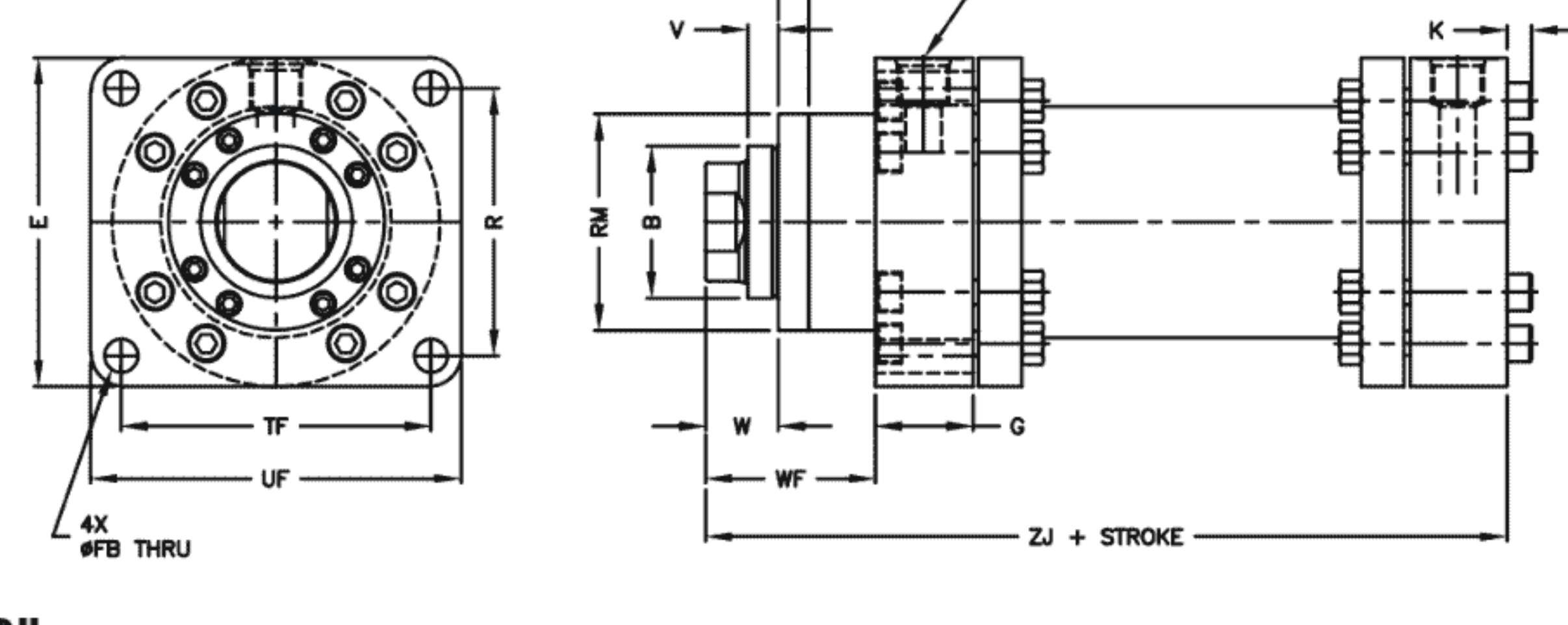
Spherical Bearing Mount



YATES STYLE "Q"
2" - 8" BORE

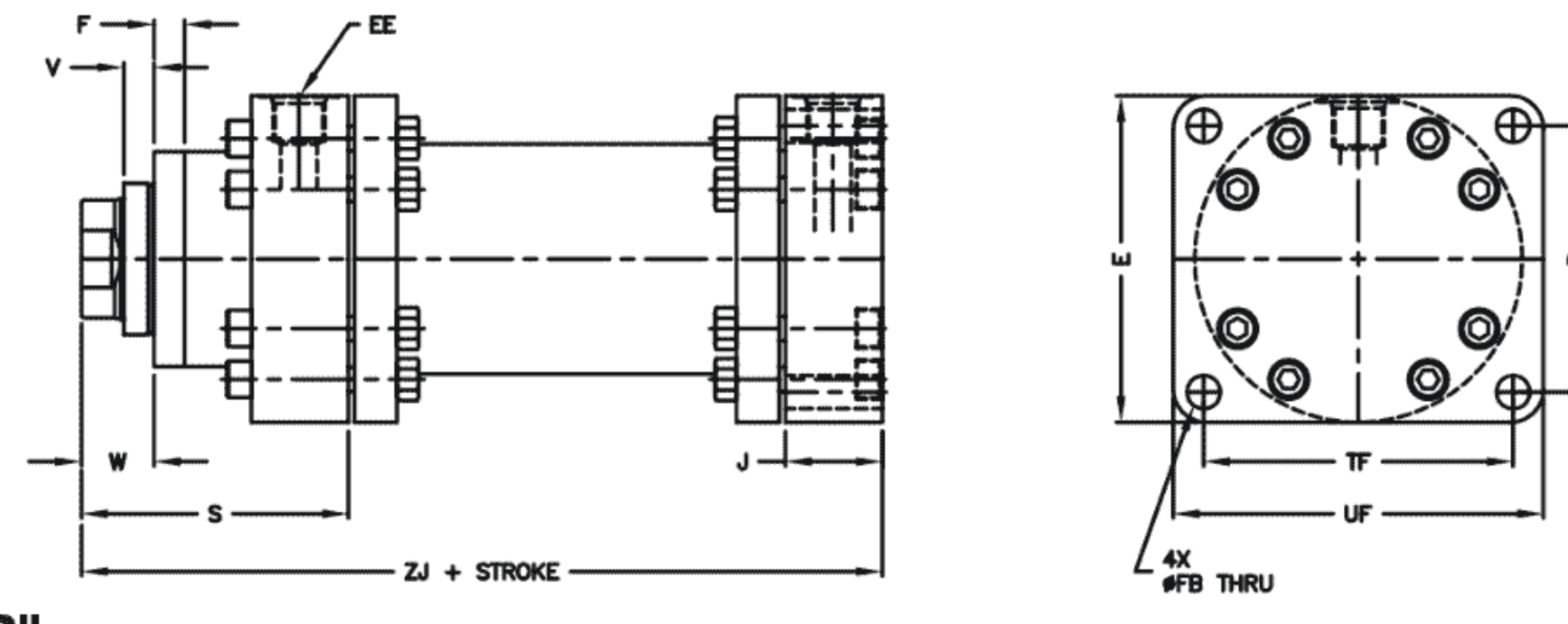
FLANGE AND TRUNNION MOUNTS

Head Rectangular Integral Flange Mount



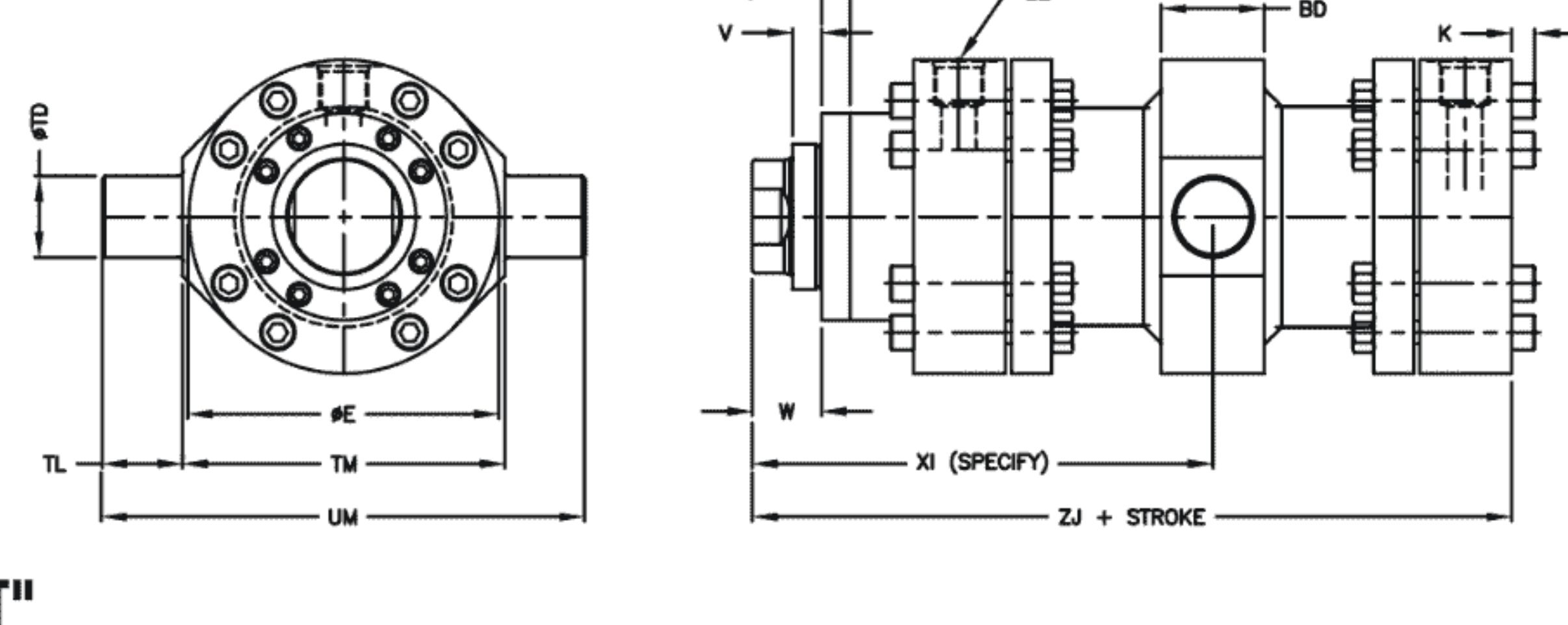
YATES STYLE "G"
2" - 8" BORE

Cap Rectangular Integral Flange Mount



YATES STYLE "P"
2" - 8" BORE

Intermediate Fixed Trunnion Mount



YATES STYLE "T"
2" - 8" BORE

ROD END STYLES

Optional Rod End Styles

ROD END STYLE #	DIMENSIONS	ROD END STYLE #	DIMENSIONS
#5		#3	
#6		#7	
#9			