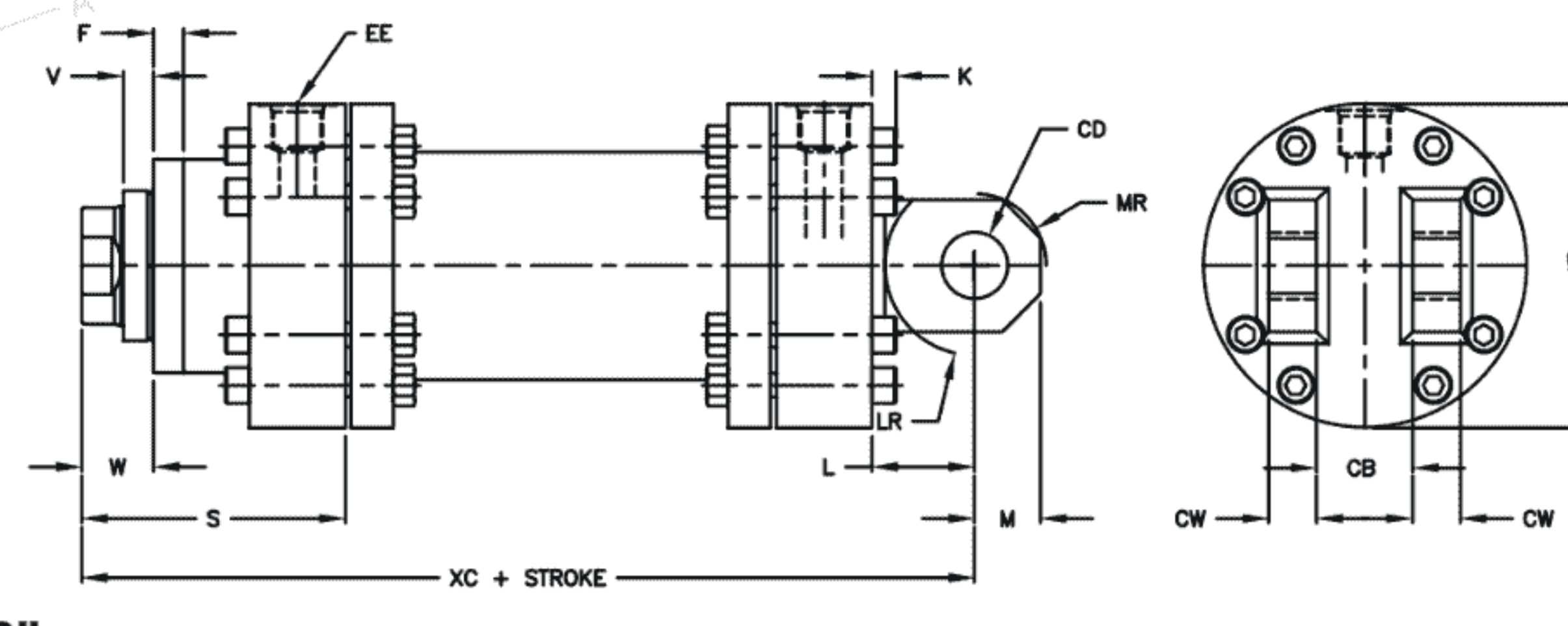
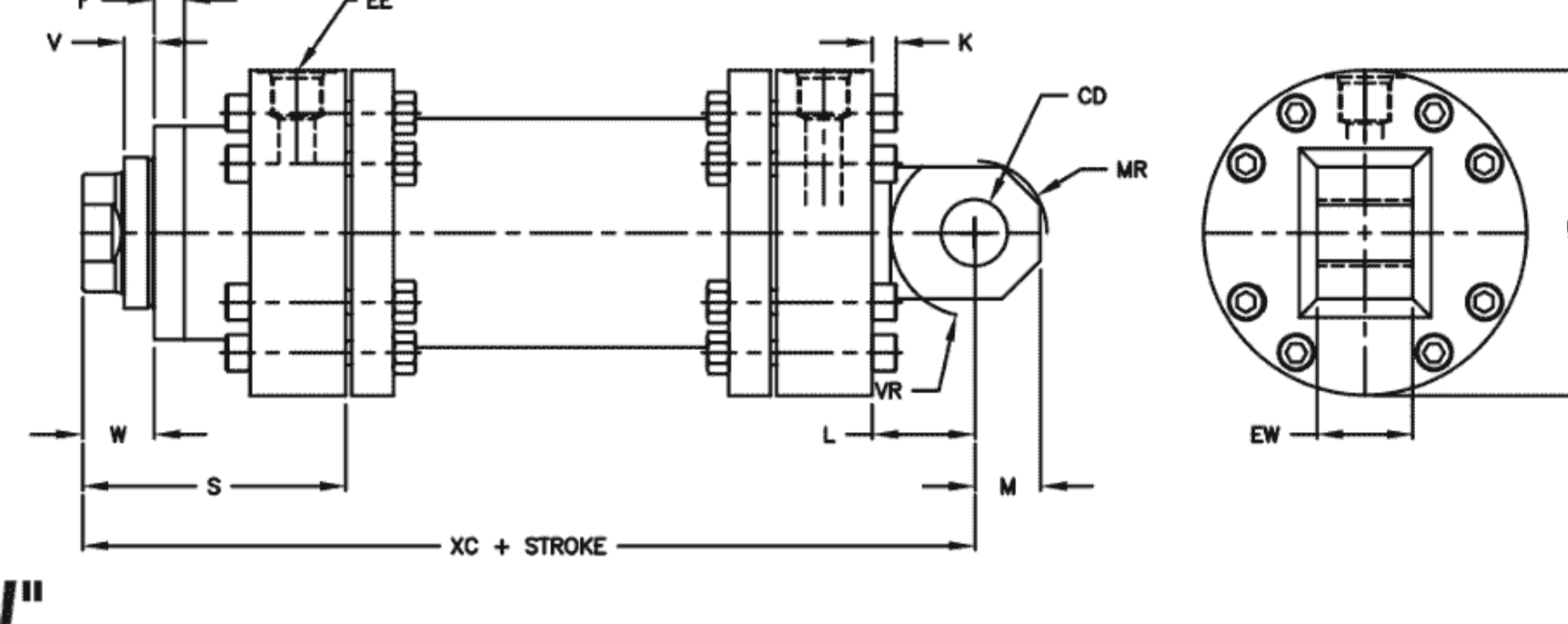


**Cap Fixed Clevis Mount**



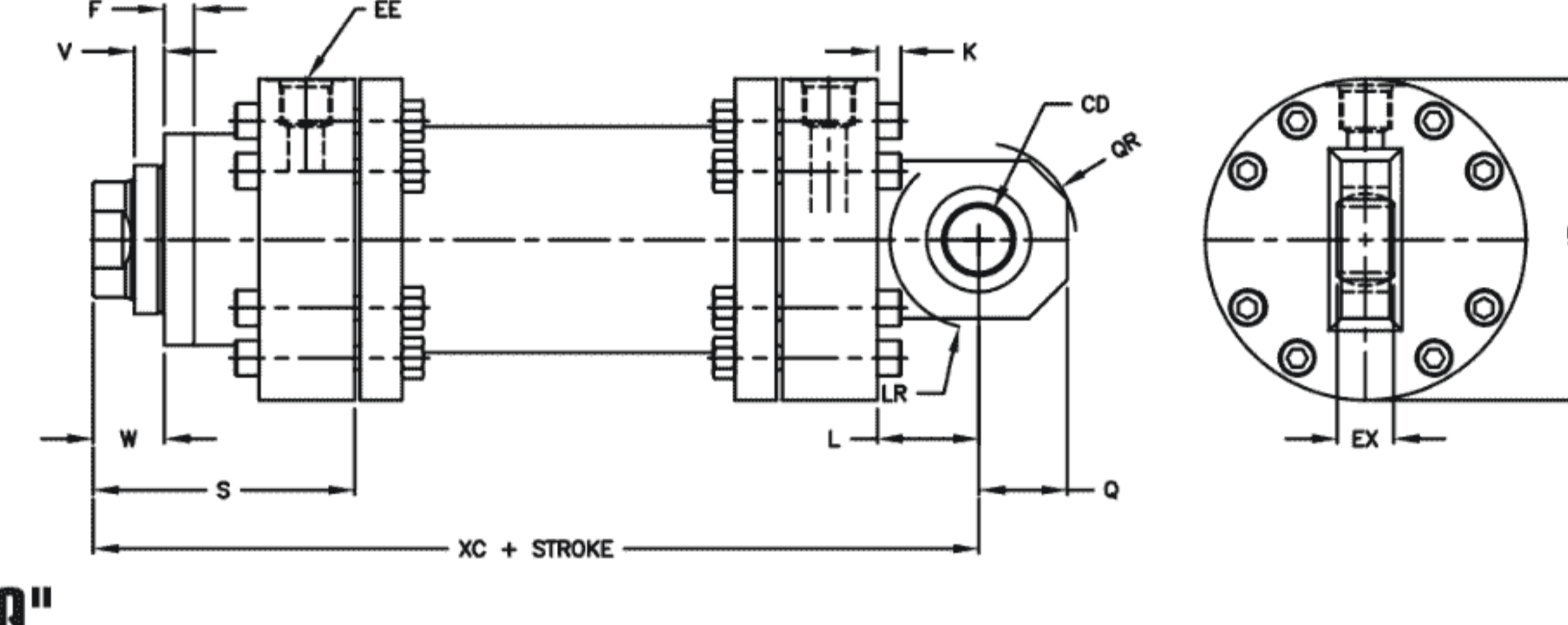
YATES STYLE "C"  
2" - 8" BORE

**Cap Fixed Eye Mount**



YATES STYLE "V"  
2" - 8" BORE

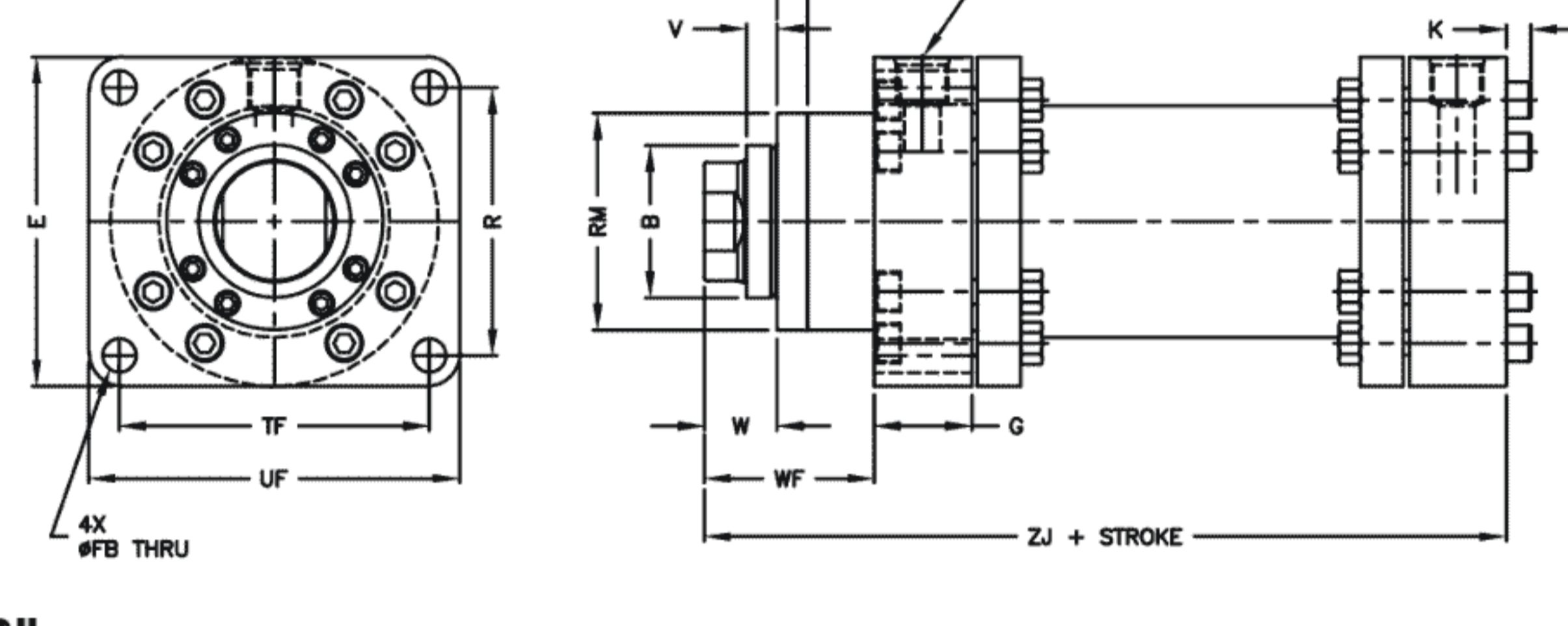
**Spherical Bearing Mount**



YATES STYLE "Q"  
2" - 8" BORE

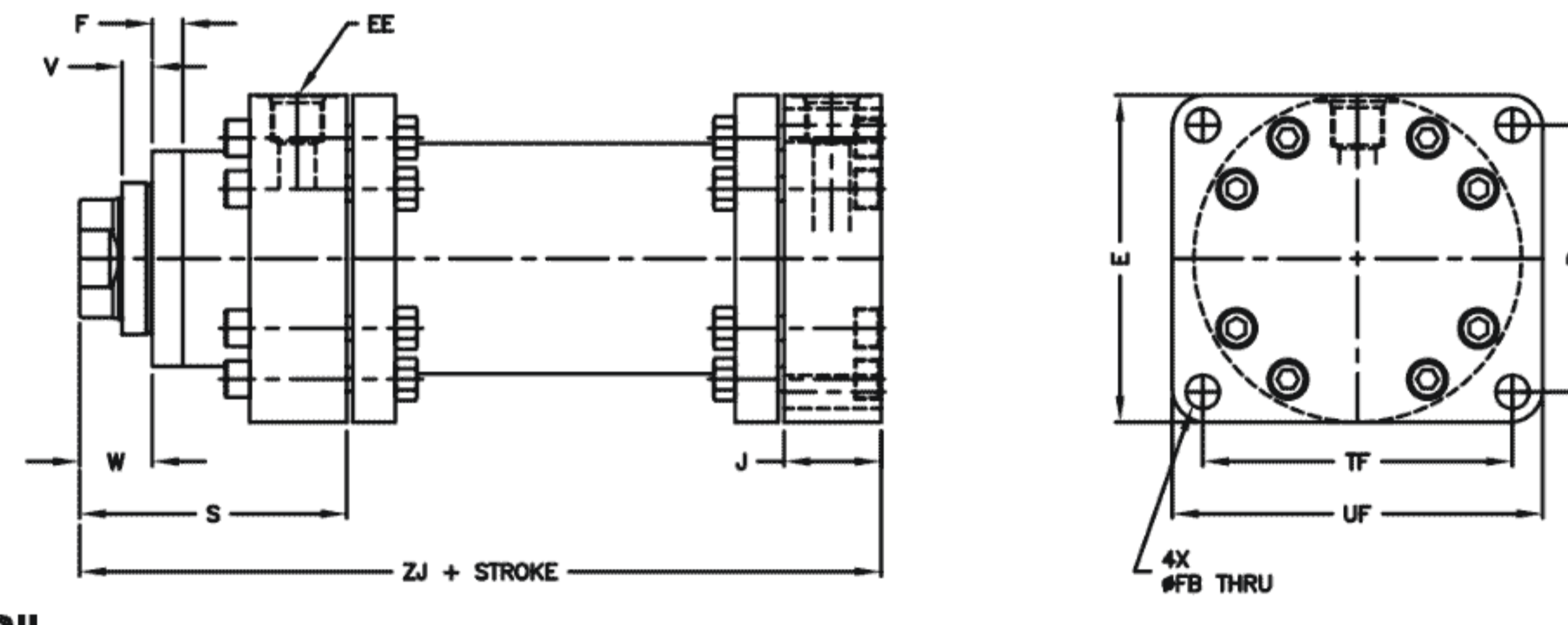
FLANGE AND TRUNNION MOUNTS

**Head Rectangular Integral Flange Mount**



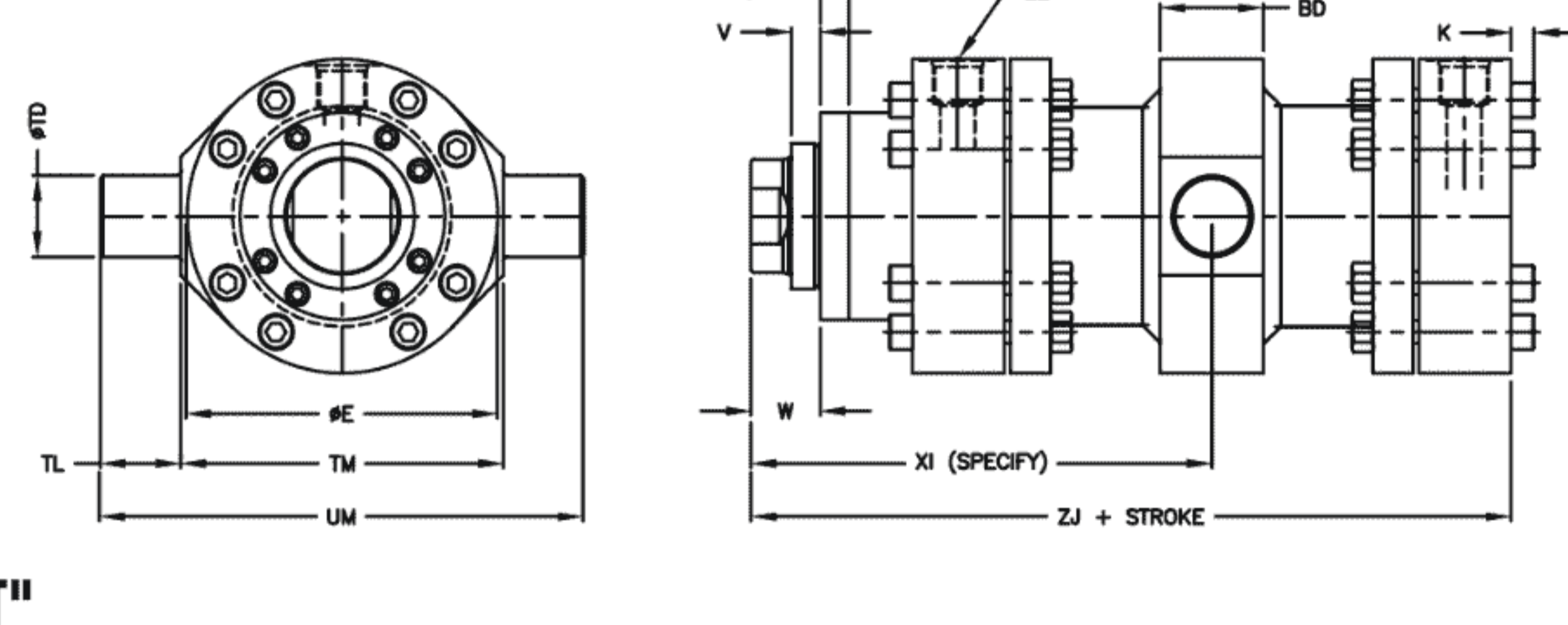
YATES STYLE "G"  
2" - 8" BORE

**Cap Rectangular Integral Flange Mount**



YATES STYLE "P"  
2" - 8" BORE

**Intermediate Fixed Trunnion Mount**



YATES STYLE "T"  
2" - 8" BORE

ROD END STYLES

**Optional Rod End Styles**

ROD END STYLE #	DIMENSIONS	ROD END STYLE #	DIMENSIONS
#5		#3	
#6		#7	
#9			